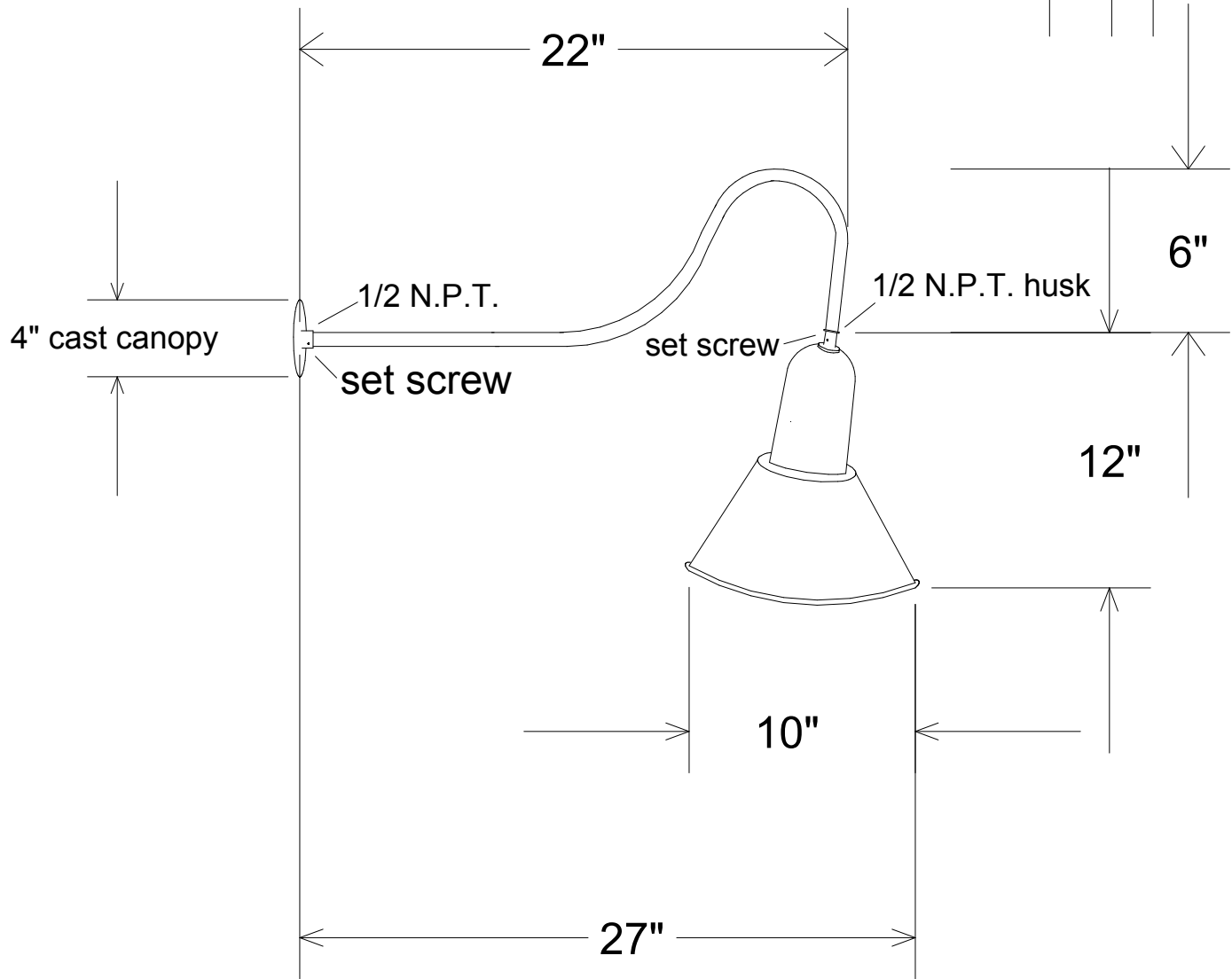


Revisions			Date	Approved
Zone	Rev	Description		



Unless Otherwise Specified: Dimensions in Inches Tolerances: Fractional ± Angular: Mach ± Bend ± Two Place Decimal ± Three Place Decimal ±	<table border="1"> <tr> <th>Name</th> <th>Date</th> </tr> <tr> <td>T.A.R.</td> <td>10/08/09</td> </tr> </table>	Name	Date	T.A.R.	10/08/09	Primelite Mfg. Corp. 37-10/850 10" Balast Shade Angle Arm	
	Name	Date					
	T.A.R.	10/08/09					
	Drawn						
	Checked						
ENG Appr.							
MFR Appr.							
Construction: All Aluminum Pipe Size: 1/2" Lamp: 1-150A	Comments CAD Generated Drawing Do Not Manually Update	Size A	Drawing No. 0001	Rev A			
		Scale 1:8	CAD File	Sheet 1 of 1			