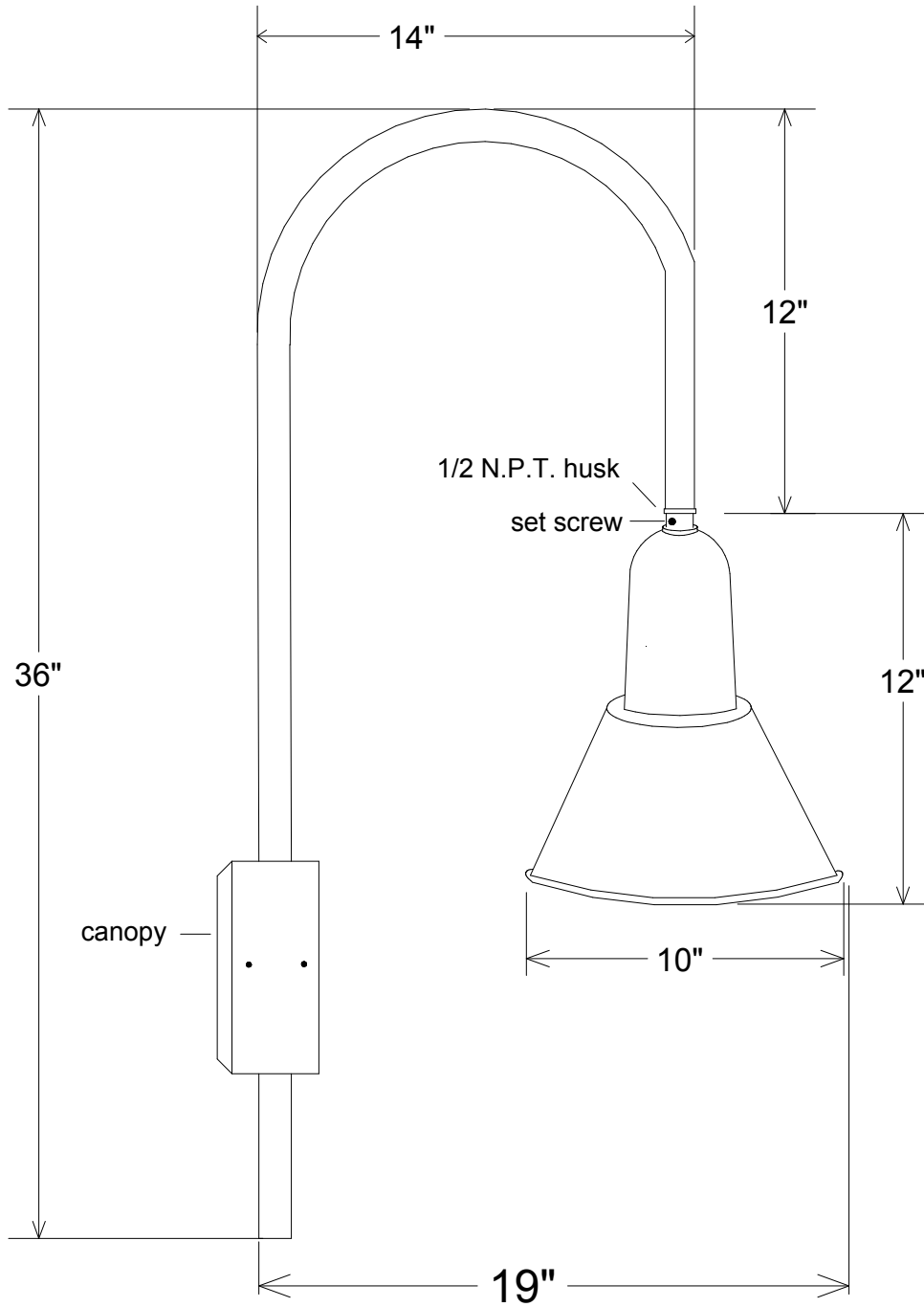


Revisions				
Zone	Rev	Description	Date	Approved



Unless Otherwise Specified: Dimensions in Inches Tolerances: Fractional ± Angular: Mach ± Bend ± Two Place Decimal ± Three Place Decimal ±	Name	Date	Primelite Mfg. Corp. 37-10/862				
	Drawn	T.A.R.			11/03/09		
	Checked						
	ENG Appr.						
	MFR Appr.						
	QA						
Comments	CAD Generated Drawing Do Not Manually Update		Size	Drawing No.	Rev		
Construction: All Aluminum			A	0001	A		
Pipe Size: 1/2"			Scale	1:6	CAD File	Sheet	1 of 1
Lamp: 1-150A							