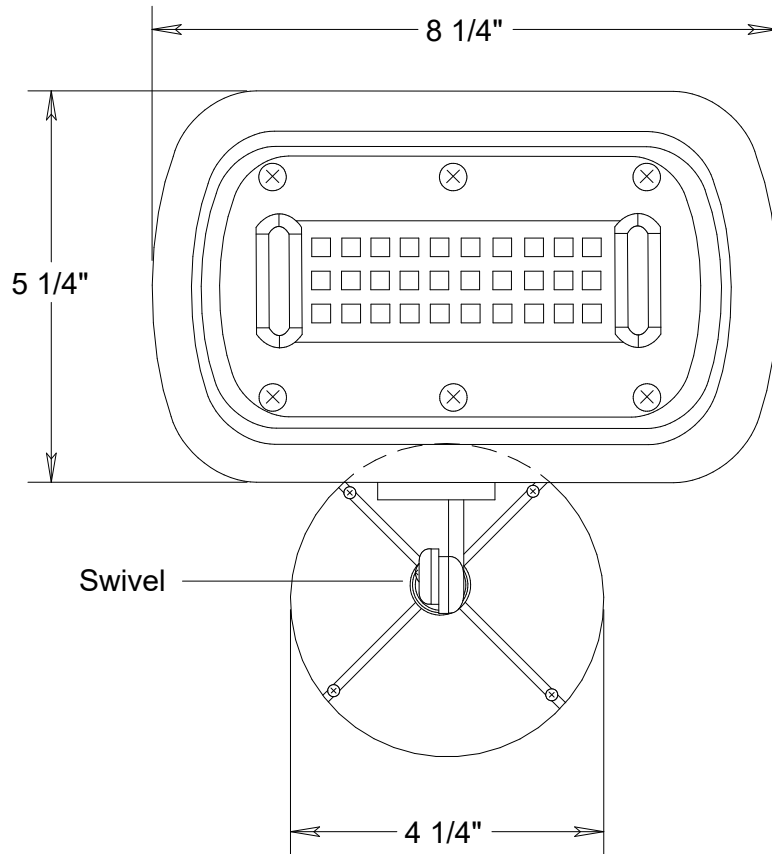


Primelite Manufacturing Corp

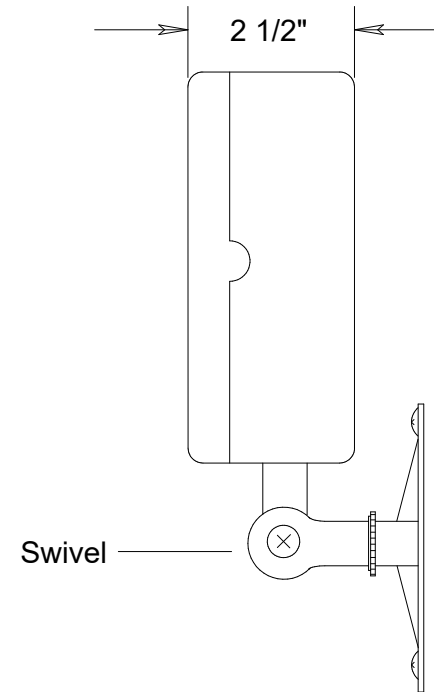
407 S Main St, Freeport, NY 11520
 Phone: 516-868-4411 | Fax: 516-868-4609
 sales@primelite-mfg.com | www.primelite-mfg.com

PART # #3501	LAMP LED	VOLTAGE 120 V	COLOR Powder Coated Paint
JOB NAME			TYPE LED Flood Light

Front View



Side View



Lamp: Incandescent LED	Name	Date	LED Flood Light #3501			
LED 30	Drawn	7/19				
	Checked					
	ENG Appr.					
	MFR Appr.		8 1/4" W 9 1/2" Max Ht 9" Max Ext 30 W LED 180 Degree Swivel	Size	Drawing No.	Rev
Construction: Aluminum	QA		A	0001	A	
Unless Otherwise Specified: Dimensions in Inches	Weight		Scale	CAD File	Sheet	1 of 1

Revisions				
Zone	Rev	Description	Date	Approved