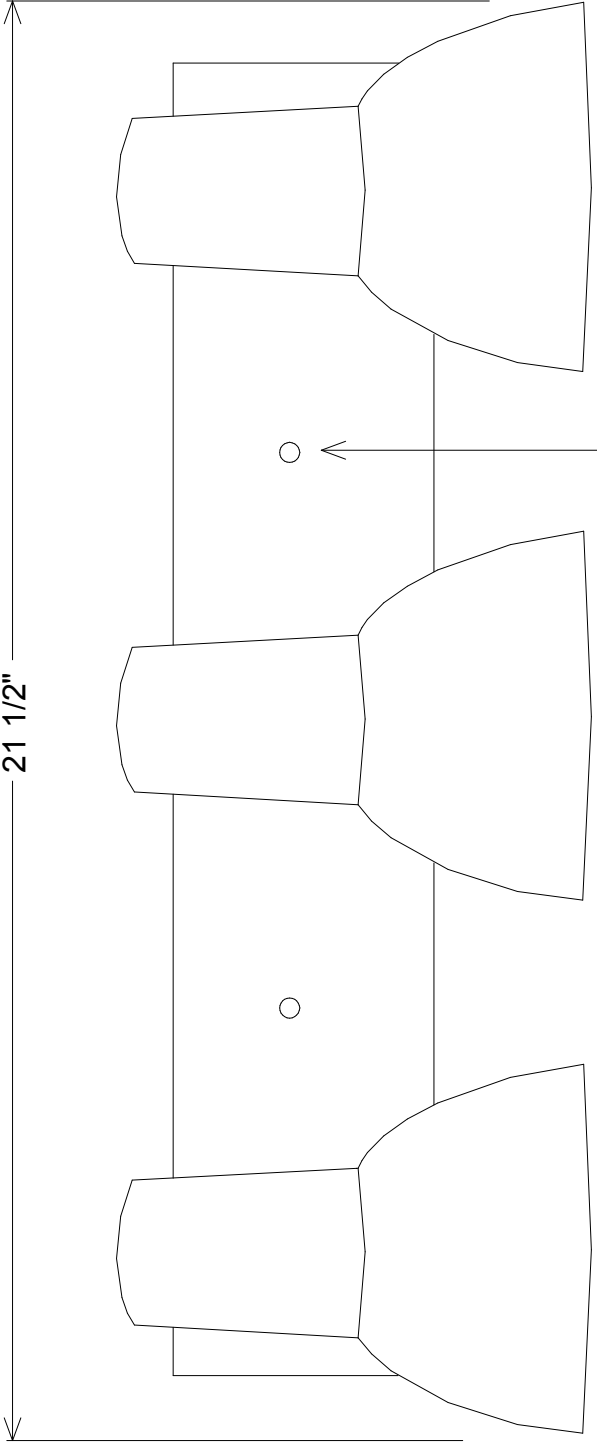
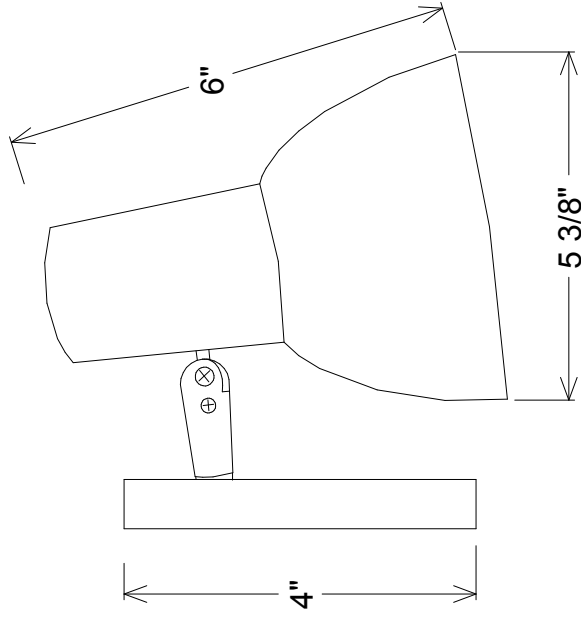


21 1/2"



set screw



Unless Otherwise Specified:

- Dimensions in Inches
- Tolerances: Fractional ±
- Angular: Mach ± Bend ±
- Two Place Decimal ±
- Three Place Decimal ±

Construction: All Aluminum

Lamp: 3-75A

Drawn	Name	Date
Checked	T.A.R.	09/16/10
ENG Appr.		
MFR Appr.		
QA		

Comments

CAD Generated Drawing
Do Not Manually Update

Primelite Mfg. Corp.

35-543

Size	Drawing No.	Rev
A	0001	A

Scale	CAD File	Sheet
		1 of 1