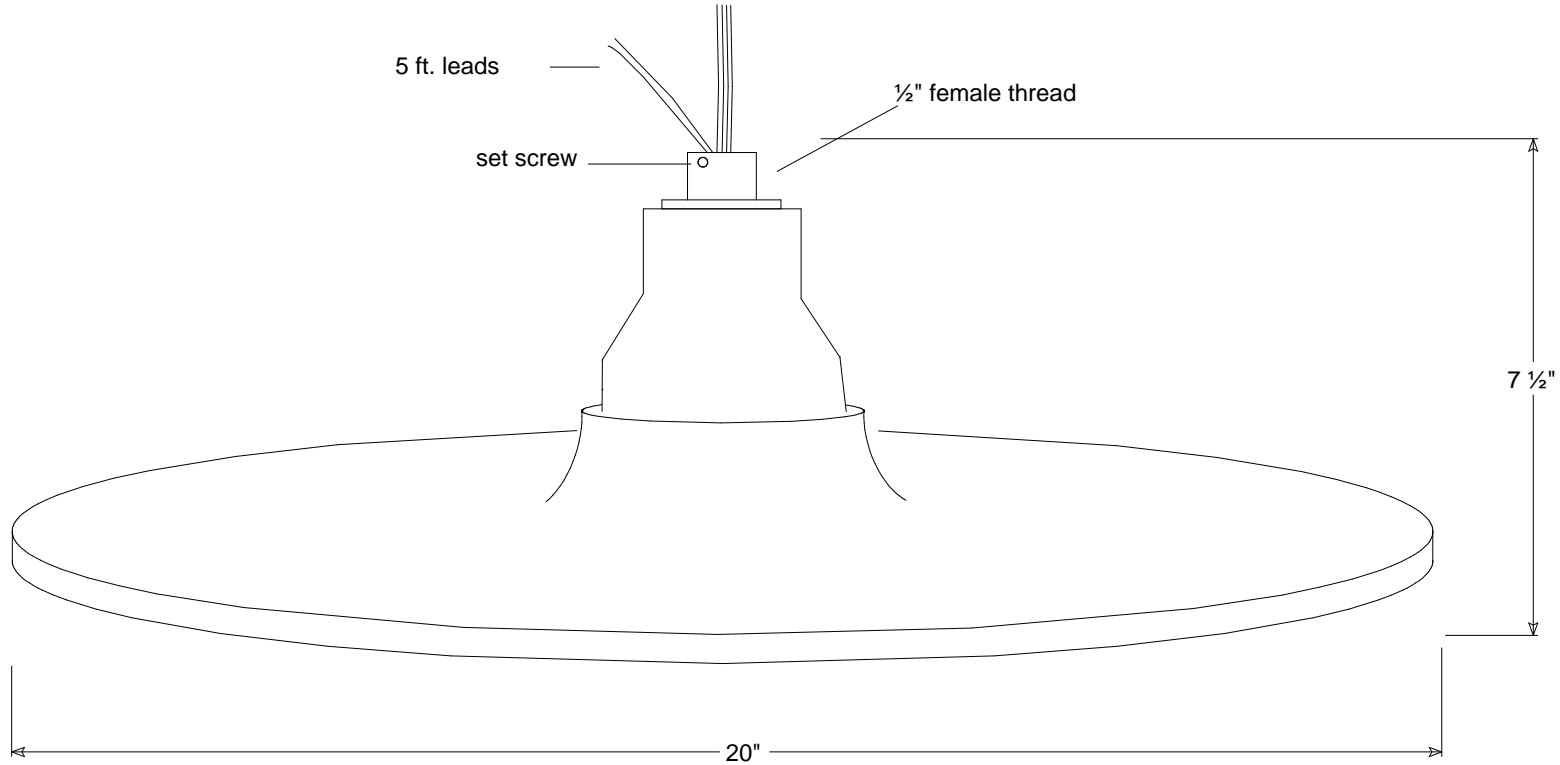




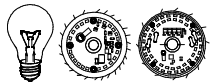
Primelite Manufacturing Corp

407 S Main St, Freeport, NY 11520
 Phone: 516-868-4411 | Fax: 516-868-4609
 sales@primelite-mfg.com | www.primelite-mfg.com

PART # #34/20A	LAMP Incandescent LED	VOLTAGE 120 V	COLOR Powder Coated Paint
JOB NAME			TYPE Gooseneck Shade



Lamp: Incandescent | LED



1/200A | LED12 | LED22

	Name	Date
Drawn	lv	02/15/18
Checked		
ENG Appr.		
MFR Appr.		
QA		
Comments		

Gooseneck Shade #34/20A

20" Dia Shade

Size	Drawing No.	Rev
A	0001	A
Scale	CAD File	Sheet
		1 of 1

Revisions				
Zone	Rev	Description	Date	Approved

