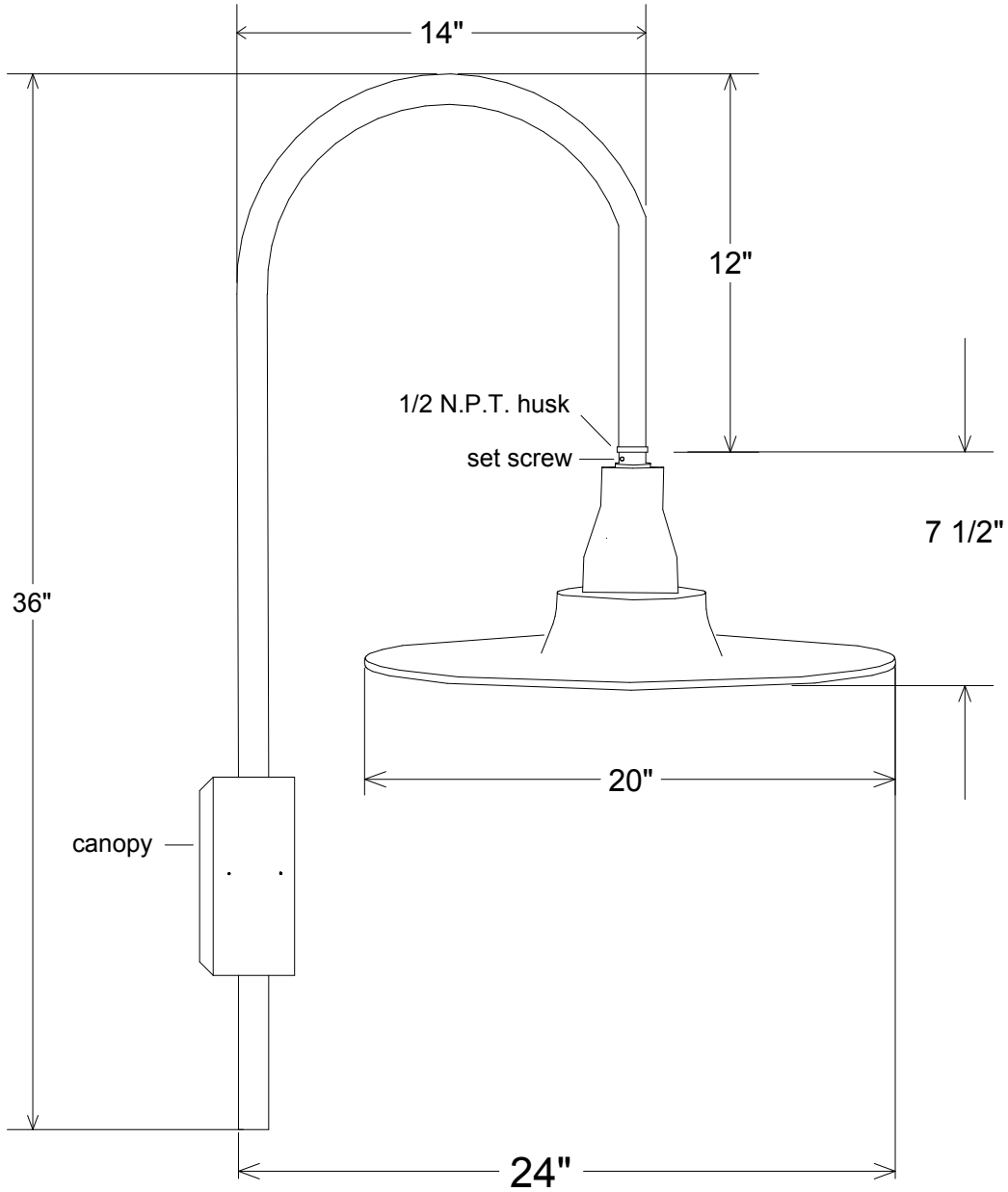


Revisions				
Zone	Rev	Description	Date	Approved



<b>Unless Otherwise Specified:</b> Dimensions in Inches Tolerances: Fractional ± Angular: Mach ± Bend ± Two Place Decimal ± Three Place Decimal ±	Name		Date		<b>Primelite Mfg. Corp.</b>  <b>34-20/862</b>			
	Drawn	T.A.R.	11/03/09					
	Checked							
	ENG Appr.							
	MFR Appr.							
	QA				Size	Drawing No.	Rev	
Construction: All Aluminum	Comments			A		0001	A	
Pipe Size: 1/2"	CAD Generated Drawing Do Not Manually Update			Scale		1:6	CAD File	Sheet
Lamp: 1-200A								1 of 1