

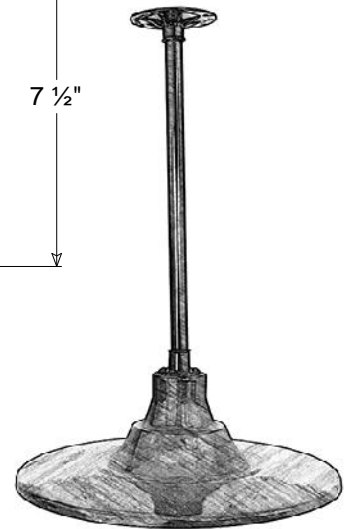
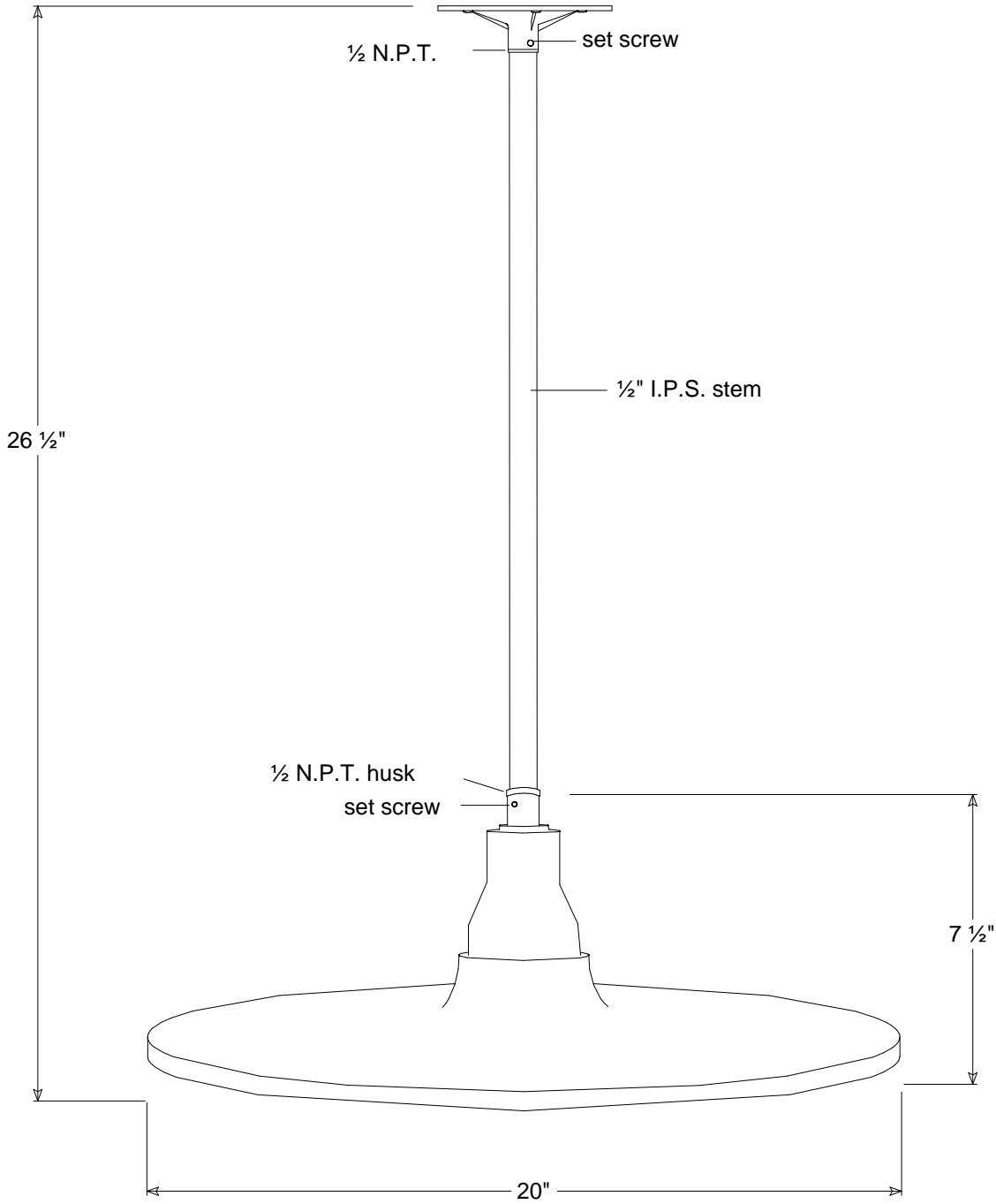


Primelite Manufacturing Corp

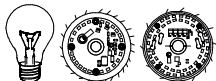
407 S Main St, Freeport, NY 11520

Phone: 516-868-4411 | Fax: 516-868-4609
 sales@primelite-mfg.com | www.primelite-mfg.com

PART # #34/20-18	LAMP Incandescent LED	VOLTAGE 120 V	COLOR Powder Coated Paint
JOB NAME			TYPE Pendant



Lamp: Incandescent | LED



1/200A | LED12 | LED22

Construction: Aluminum

Unless Otherwise Specified:
 Dimensions in Inches

Name	Date
Drawn iv	05/15/18
Checked	
ENG Appr.	
MFR Appr.	
QA	
Comments	

Pendant #34/20-18

20" Dia Shade | 18" Stem

Size	Drawing No.	Rev
A	0001	A

Scale	CAD File	Sheet
		1 of 1

Revisions				
Zone	Rev	Description	Date	Approved