



Primelite Manufacturing Corp

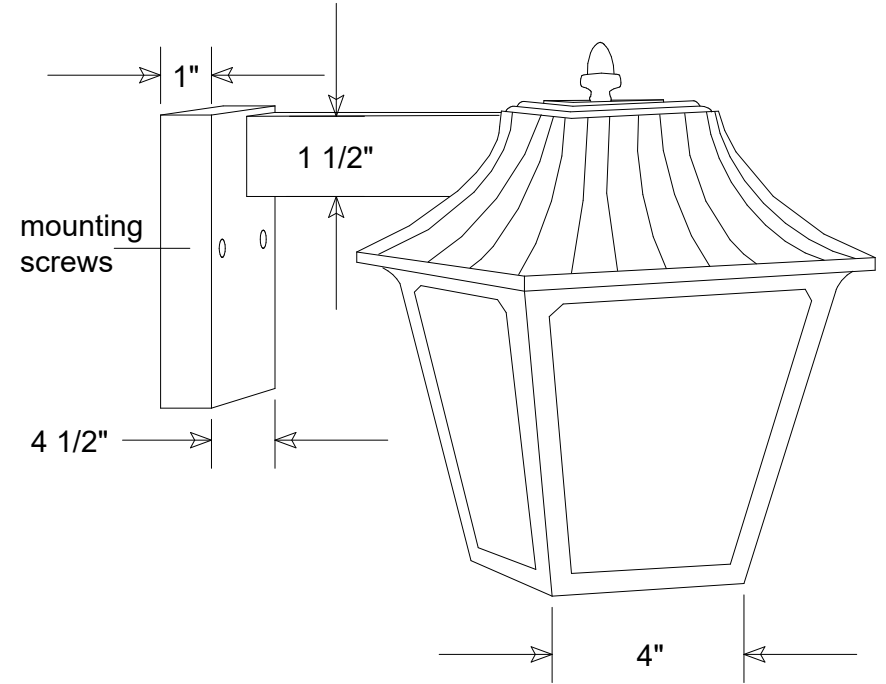
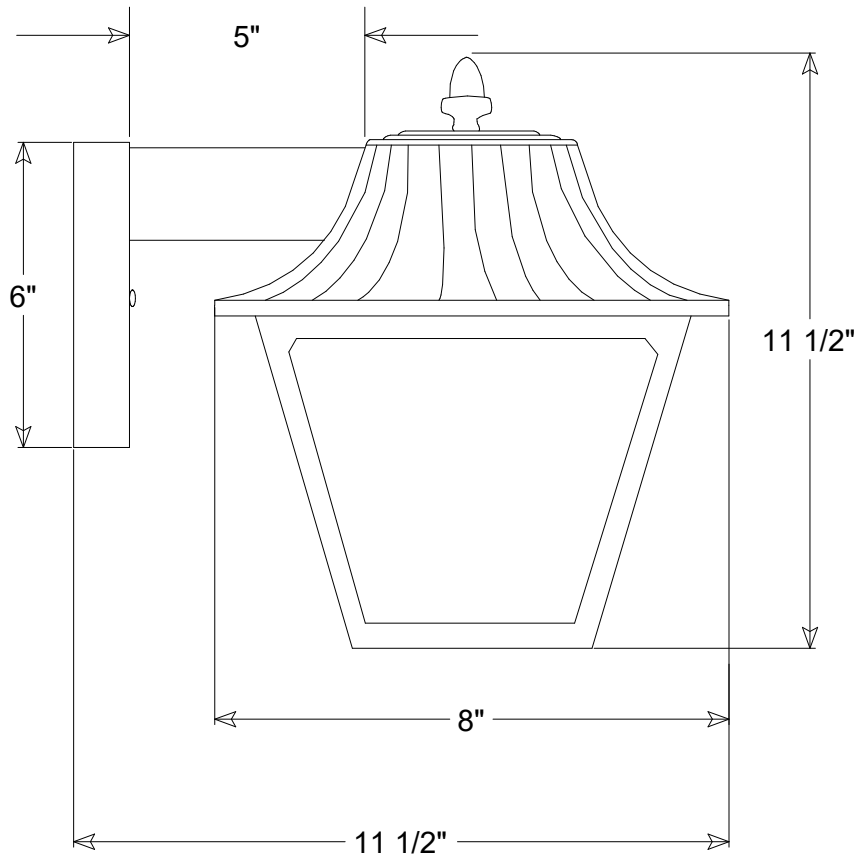
407 S Main St, Freeport, NY 11520


Phone: 516-868-4411 | Fax: 516-868-4609

sales@primelite-mfg.com | www.primelite-mfg.com

PART # #3321	LAMP Incandescent LED	VOLTAGE 120 V	COLOR Powder Coated Paint
JOB NAME			TYPE Wall Lantern

Side View



Lamp: Incandescent LED	Name	Date	Wall Lantern #3321		
 1/150A	Drawn CB	9/19			
Construction: Aluminum	Checked		11 1/2" Ht 11 1/2" Ext 8" W		
Unless Otherwise Specified: Dimensions in Inches	ENG Appr.		Size A	Drawing No. 0001	Rev A
	MFR Appr.		Scale	CAD File	Sheet 1 of 1
	QA				
	Weight				

Revisions				
Zone	Rev	Description	Date	Approved