



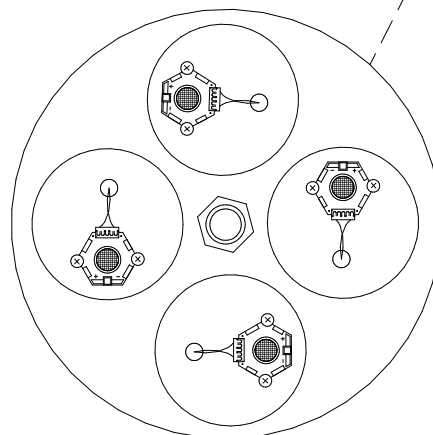
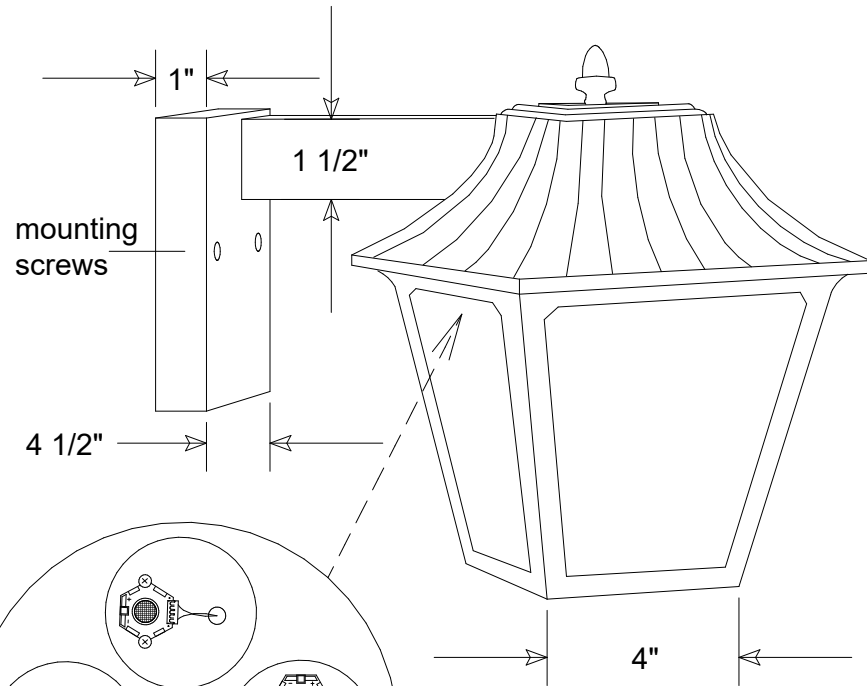
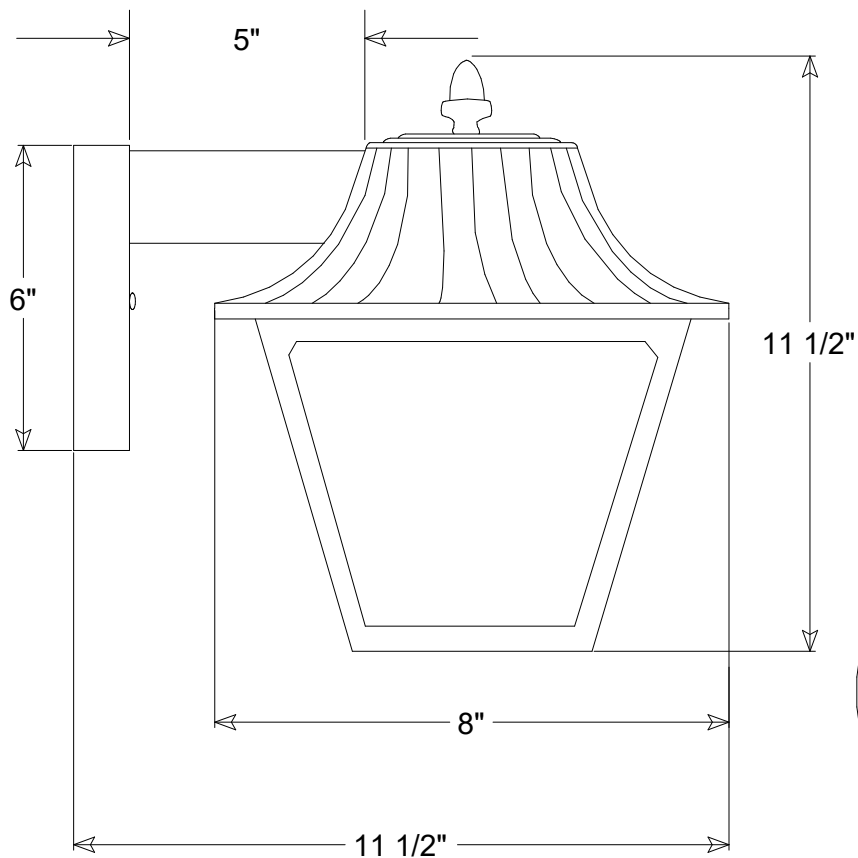
Primelite Manufacturing Corp

407 S Main St, Freeport, NY 11520

Phone: 516-868-4411 | Fax: 516-868-4609
 sales@primelite-mfg.com | www.primelite-mfg.com

PART # #3321	LAMP Incandescent LED	VOLTAGE 120 V	COLOR Powder Coated Paint
JOB NAME			TYPE Wall Lantern

Side View



LED 40 = 4 x 10 Watt LED

Lamp: Incandescent LED LED 40 (LED 10 X4)	Name	Date	Wall Lantern #3321 LED 40			
	Drawn	CB				9/19
	Checked			11 1/2" Ht 11 1/2" Ext 8" W		
	ENG Appr.					
MFR Appr.			Size	Drawing No.	Rev	
Construction: Aluminum	QA		A	0001	A	
Unless Otherwise Specified: Dimensions in Inches	Weight		Scale	CAD File	Sheet 1 of 1	

Revisions				
Zone	Rev	Description	Date	Approved