



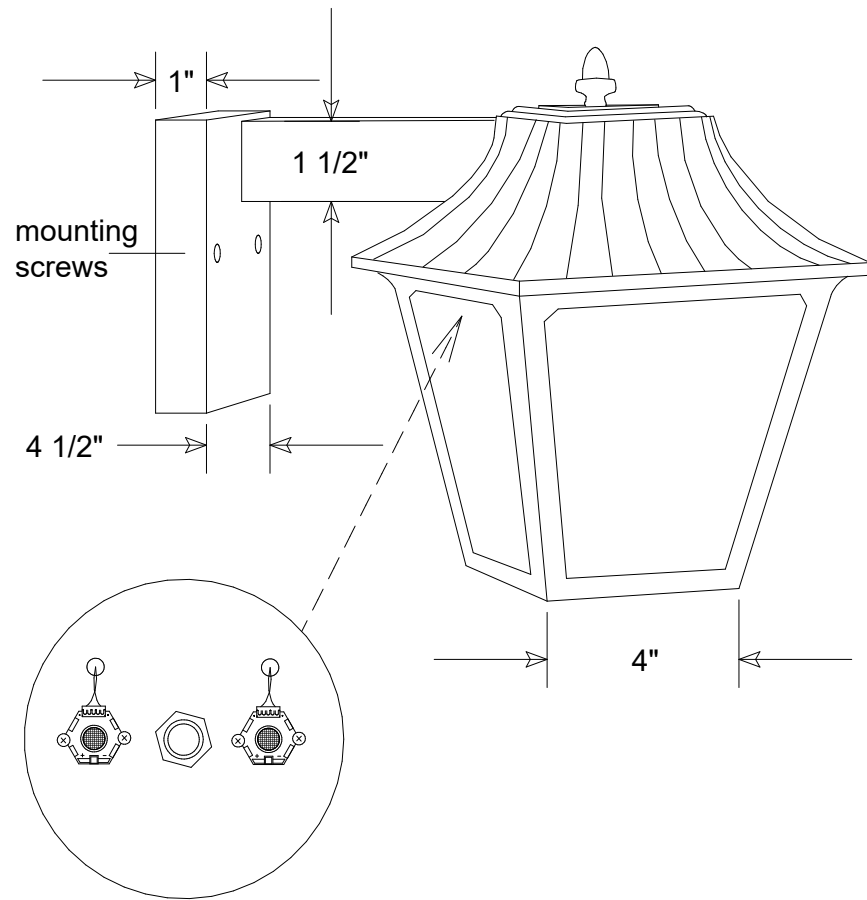
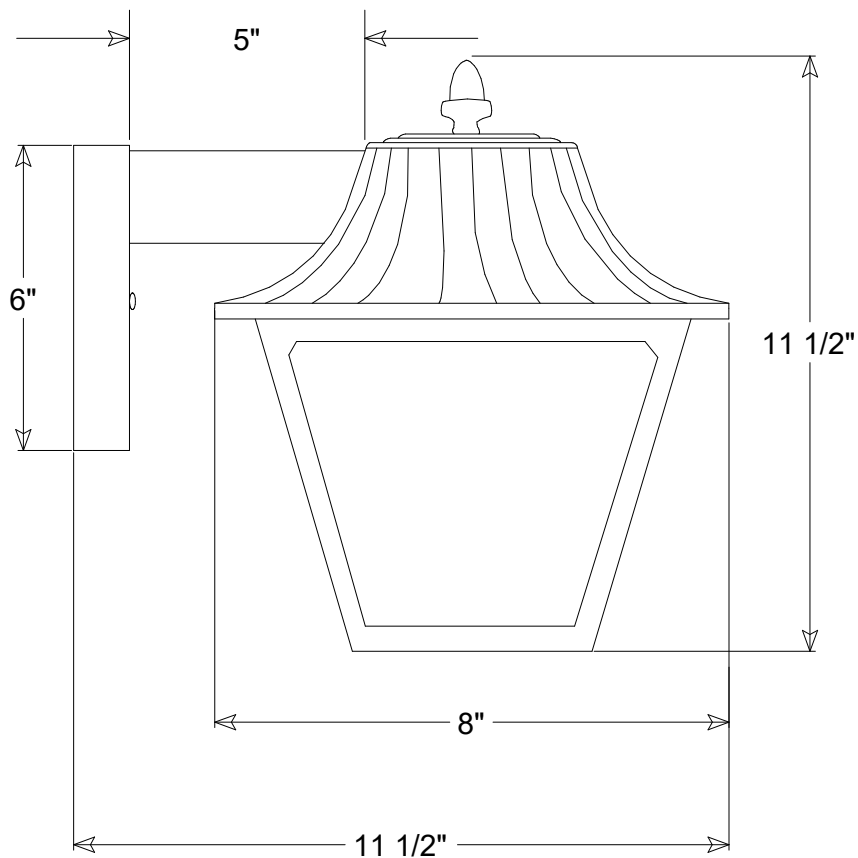
# Primelite Manufacturing Corp

407 S Main St, Freeport, NY 11520

Phone: 516-868-4411 | Fax: 516-868-4609  
 sales@primelite-mfg.com | www.primelite-mfg.com

PART # #3321	LAMP Incandescent   LED	VOLTAGE 120 V	COLOR Powder Coated Paint
JOB NAME			TYPE Wall Lantern

Side View



LED20 = 2 x 10 watt LED

Lamp: Incandescent   LED  LED 20 (LED 10 X2)	Name	Date	<b>Wall Lantern #3321 LED 20</b>			
	Drawn	CB				6/19
	Checked			11 1/2" Ht   11 1/2" Ext   8" W		
	ENG Appr.					
Construction: Aluminum	MFR Appr.		Size	Drawing No.	Rev	
Unless Otherwise Specified: Dimensions in Inches	QA		<b>A</b>	<b>0001</b>	<b>A</b>	
	Weight		Scale	CAD File	Sheet	
					<b>1 of 1</b>	

Revisions				
Zone	Rev	Description	Date	Approved