

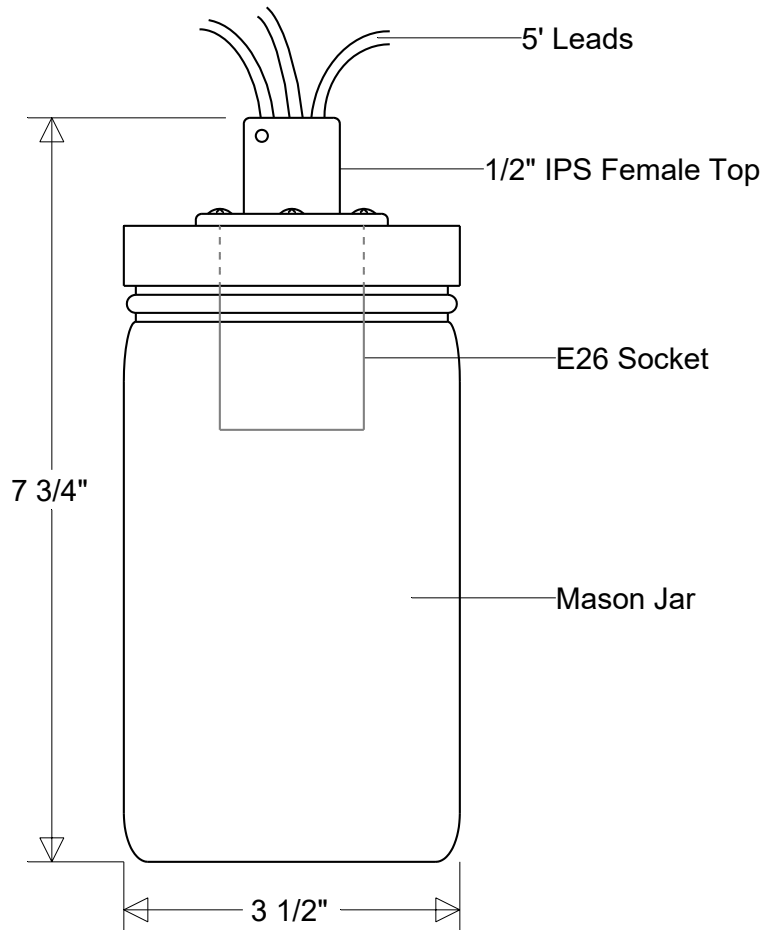


Primelite Manufacturing Corp.

407 S Main St, Freeport, NY 11520
 Phone: (516) 868-4411 | Fax: (516) 868-4609
 sales@primelite-mfg.com | www.primelite-mfg.com

PROUDLY MADE IN THE USA SINCE 1962!
"SPECIALTIES ARE OUR SPECIALTY!"

Job Info



#32A

3 1/2" Dia | 7 3/4" H
 Fits 1/2" IPS Threaded Stems and Arms

Lamp: E26 Socket
 Max Wattage: 40 W
 Number of Sockets: 1

Voltage:
 120 V

Finish:
 29 Oven Baked
 Powder Coated Paints

Material:
 Aluminum
 Clear Glass Mason Jar

Drawn:
 CB
 05/2024

Scale:
 1/2

Note:
 All dimensions are nominal.
 Actual dimensions may vary.

Approvals