

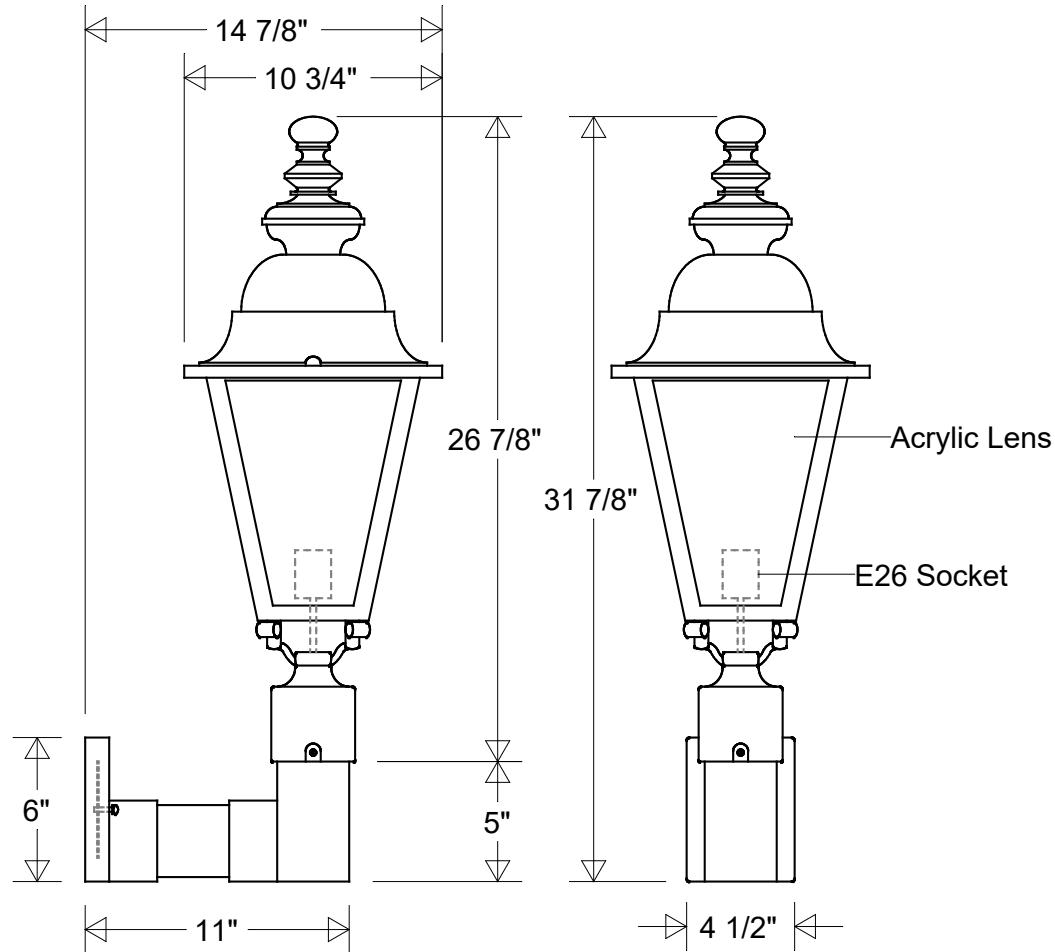


Primelite Manufacturing Corp

407 S Main St, Freeport, NY 11520

Phone: 516-868-4411 | Fax: 516-868-4609
 sales@primelite-mfg.com | www.primelite-mfg.com

PART # #3261	LAMP E26 Socket	VOLTAGE 120 V	COLOR Powder Coated Paint
JOB NAME			TYPE Cast Lantern



Lamp: E26 Socket
 Max Wattage: 200 W



Initials	Date
Drawn CB	12/2022
Checked	
ENG Appr.	
MFR Appr.	
QA	

Wall Sconce #3261

10 3/4" W | 14 7/8" Ext | 31 7/8" H

Acrylic: Smoke(/1) | White(/3) | Clear(/4) | Frosted(/5)

Size	Drawing No.	Rev
A	0001	A

Revisions

Zone	Rev	Description	Date	Appr

Construction:
 Aluminum | Acrylic

Unless Otherwise Specified:
 Dimensions in Inches

Weight:

Scale	CAD File	Sheet
		1 of 1