

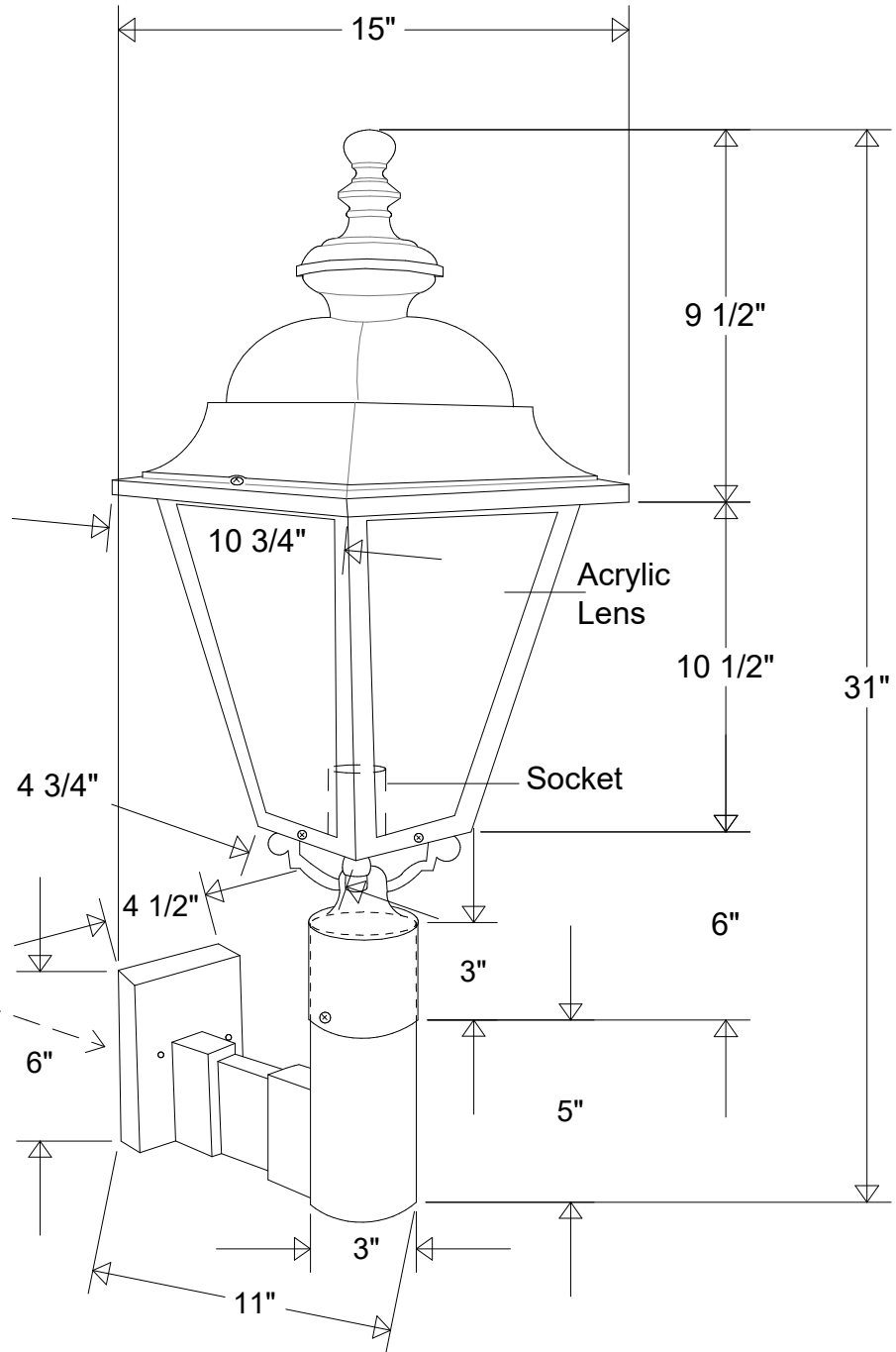


Primelite Manufacturing Corp

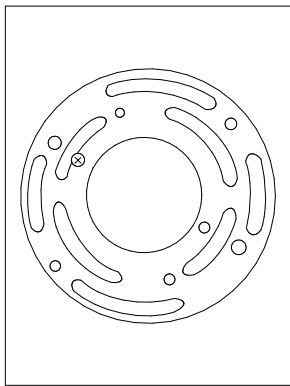
407 S Main St, Freeport, NY 11520

Phone: 516-868-4411 | Fax: 516-868-4609
 sales@primelite-mfg.com | www.primelite-mfg.com

PART # #3261	LAMP Incandescent LED	VOLTAGE 120 V	COLOR Powder Coated Paint
JOB NAME			TYPE Wall Sconce



BACKPLATE



Lamp: Incandescent | LED



1/200A

Construction: Aluminum | Acrylic

Unless Otherwise Specified:
Dimensions in Inches

Name	Date	Wall Sconce #3261		
Drawn CB	11/19	15" Ext 31" H Acrylic Lens Smoke White Clear Frosted		
Checked				
ENG Appr.				
MFR Appr.				
QA		Size A	Drawing No. 0001	Rev A
Weight		Scale	CAD File	Sheet 1 of 1

Revisions				
Zone	Rev	Description	Date	Approved