

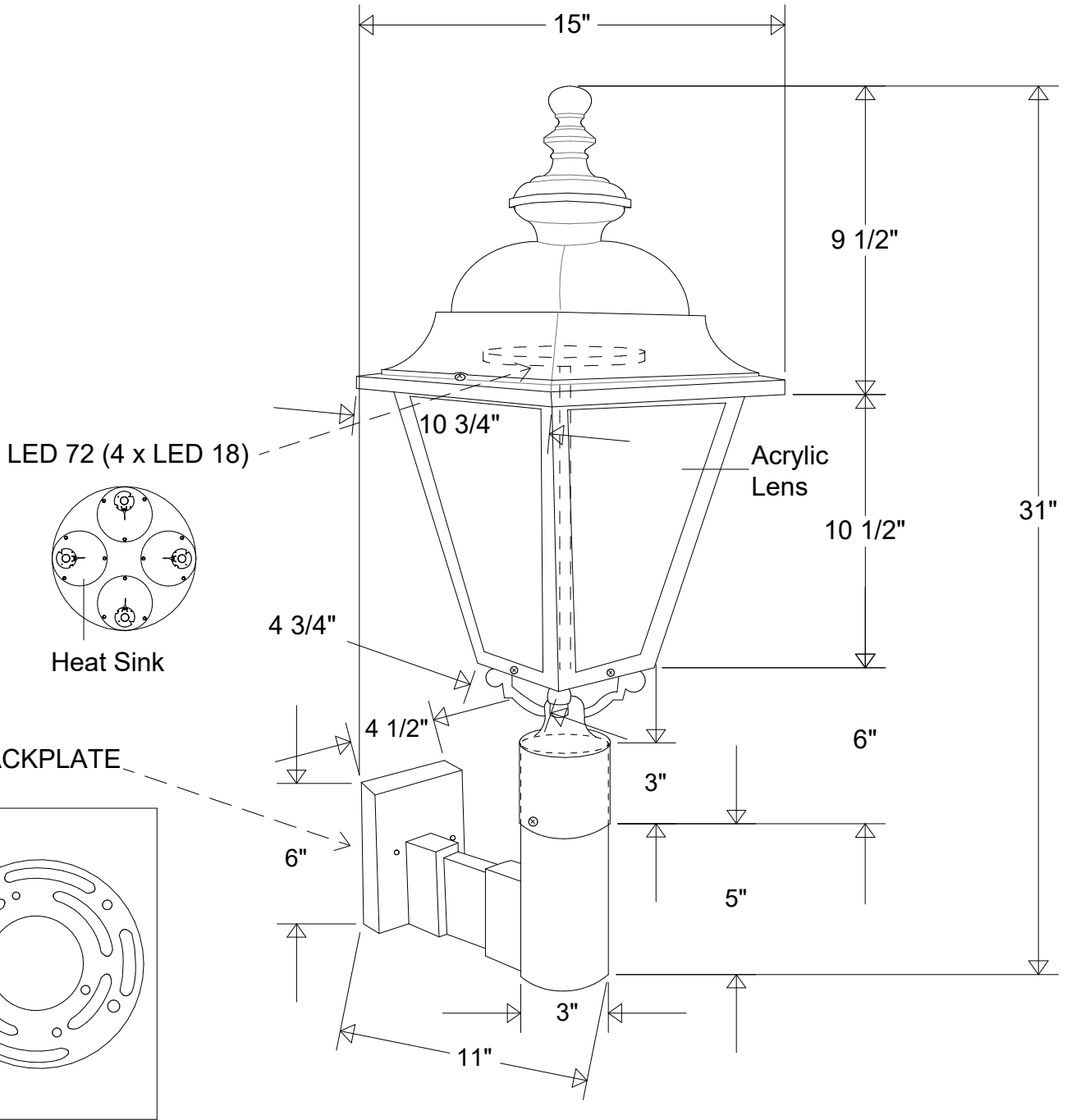


Primelite Manufacturing Corp

407 S Main St, Freeport, NY 11520

Phone: 516-868-4411 | Fax: 516-868-4609
 sales@primelite-mfg.com | www.primelite-mfg.com

PART # #3261	LAMP Incandescent LED	VOLTAGE 120 V	COLOR Powder Coated Paint
JOB NAME			TYPE Wall Sconce



Lamp: Incandescent LED LED 72 (4 X LED 18)	Name	Date	Wall Sconce #3261 LED 72 15" Ext 31" H Acrylic Lens Smoke White Clear Frosted			
	Drawn	CB				11/19
	Checked					
	ENG Appr.					
Construction: Aluminum Acrylic	MFR Appr.		Size	Drawing No.	Rev	
Unless Otherwise Specified: Dimensions in Inches	QA		A	0001	A	
	Weight		Scale	CAD File	Sheet	
					1 of 1	

Revisions				
Zone	Rev	Description	Date	Approved