

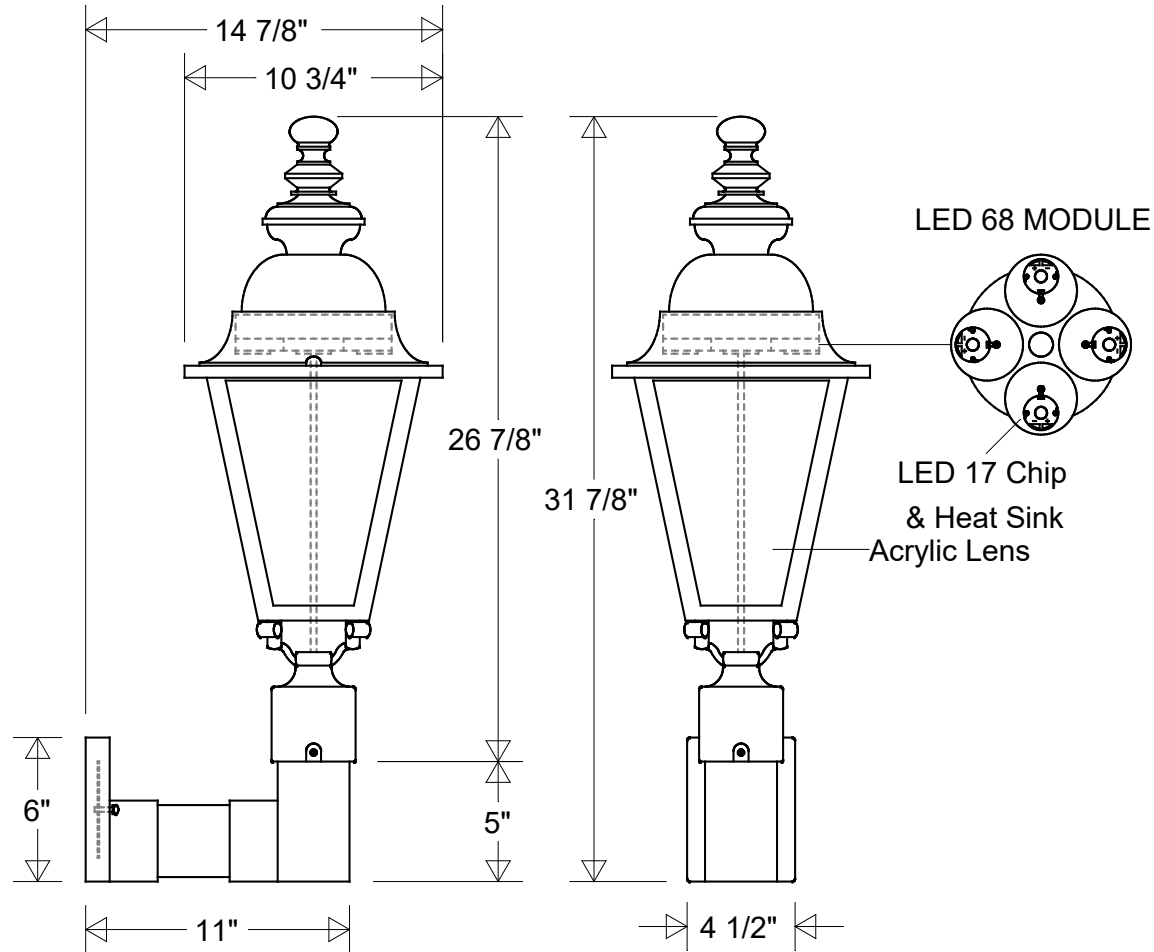


Primelite Manufacturing Corp

407 S Main St, Freeport, NY 11520

Phone: 516-868-4411 | Fax: 516-868-4609
 sales@primelite-mfg.com | www.primelite-mfg.com

PART # #3261 LED 68	LAMP Built-In LED	VOLTAGE 120 V	COLOR Powder Coated Paint
JOB NAME			TYPE Cast Lantern



Lamp: LED 68 (4X LED 17)
 175 W MH Equivalent
 3K = 7712 Lumens
 4K = 8552 Lumens



Initials Date

Drawn CB 12/2022

Checked

ENG Appr.

MFR Appr.

QA

Wall Sconce #3261 LED 68

10 3/4" W | 14 7/8" Ext | 31 7/8" H

Acrylic: Smoke(/1) | White(/3) | Clear(/4) | Frosted(/5)

Size Drawing No. Rev
A 0001 A

Scale CAD File Sheet
1 of 1

Revisions

Zone	Rev	Description	Date	Appr

Construction:
Aluminum | Acrylic

Unless Otherwise Specified:
Dimensions in Inches

Weight: