

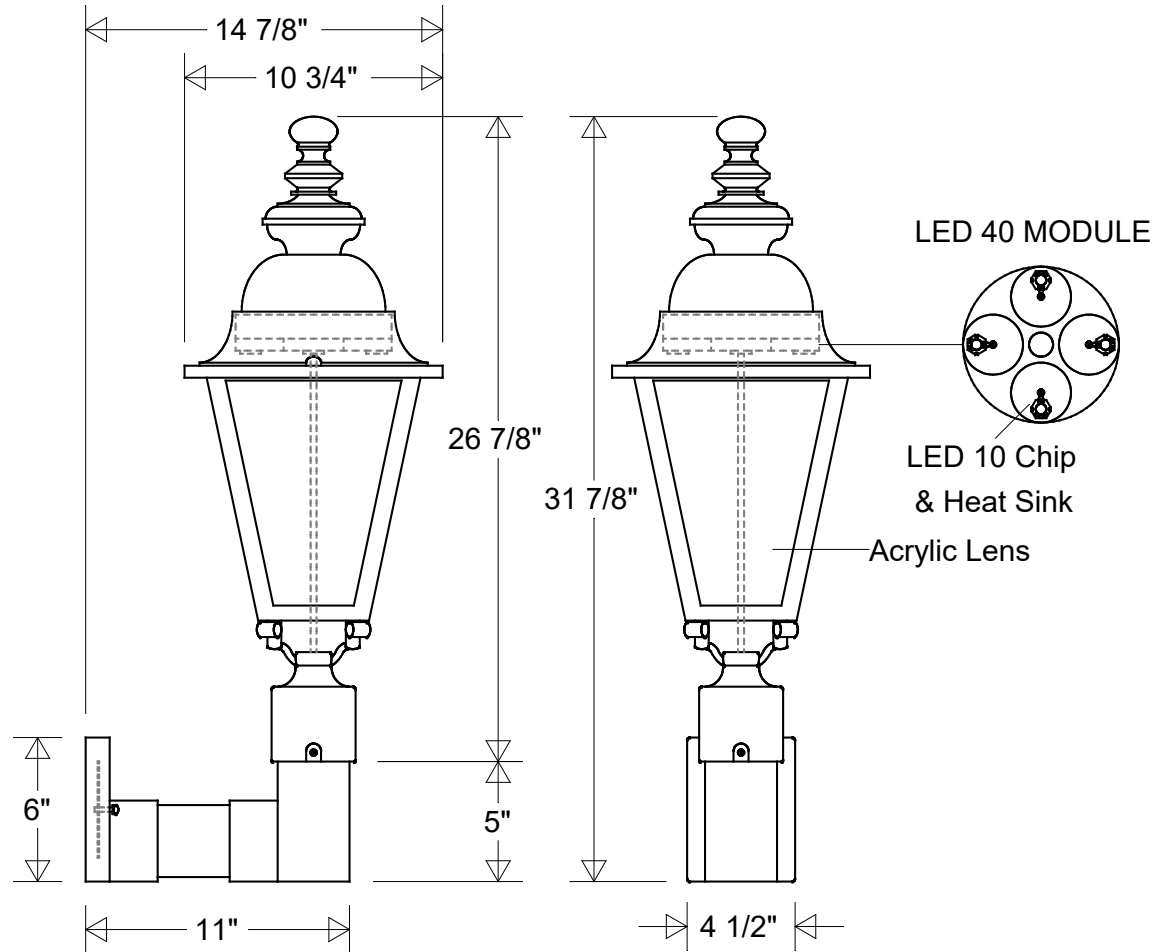



Primelite Manufacturing Corp

407 S Main St, Freeport, NY 11520

Phone: 516-868-4411 | Fax: 516-868-4609
 sales@primelite-mfg.com | www.primelite-mfg.com

PART # #3261 LED 40	LAMP Built-In LED	VOLTAGE 120 V	COLOR Powder Coated Paint
JOB NAME			TYPE Cast Lantern



Lamp: LED 40 (4X LED 10) 125 W MH Equivalent 3K = 5060 Lumens 4K = 5100 Lumens 	Initials	Date	Wall Sconce #3261 LED 40			
	Drawn	CB				12/2022
	Checked			10 3/4" W 14 7/8" Ext 31 7/8" H		
	ENG Appr.			Acrylic: Smoke(/1) White(/3) Clear(/4) Frosted(/5)		
Construction: Aluminum Acrylic	MFR Appr.		Size	Drawing No.	Rev	
	QA		A	0001	A	
Unless Otherwise Specified: Dimensions in Inches	Weight:		Scale	CAD File	Sheet	
					1 of 1	

Revisions				
Zone	Rev	Description	Date	Appr