

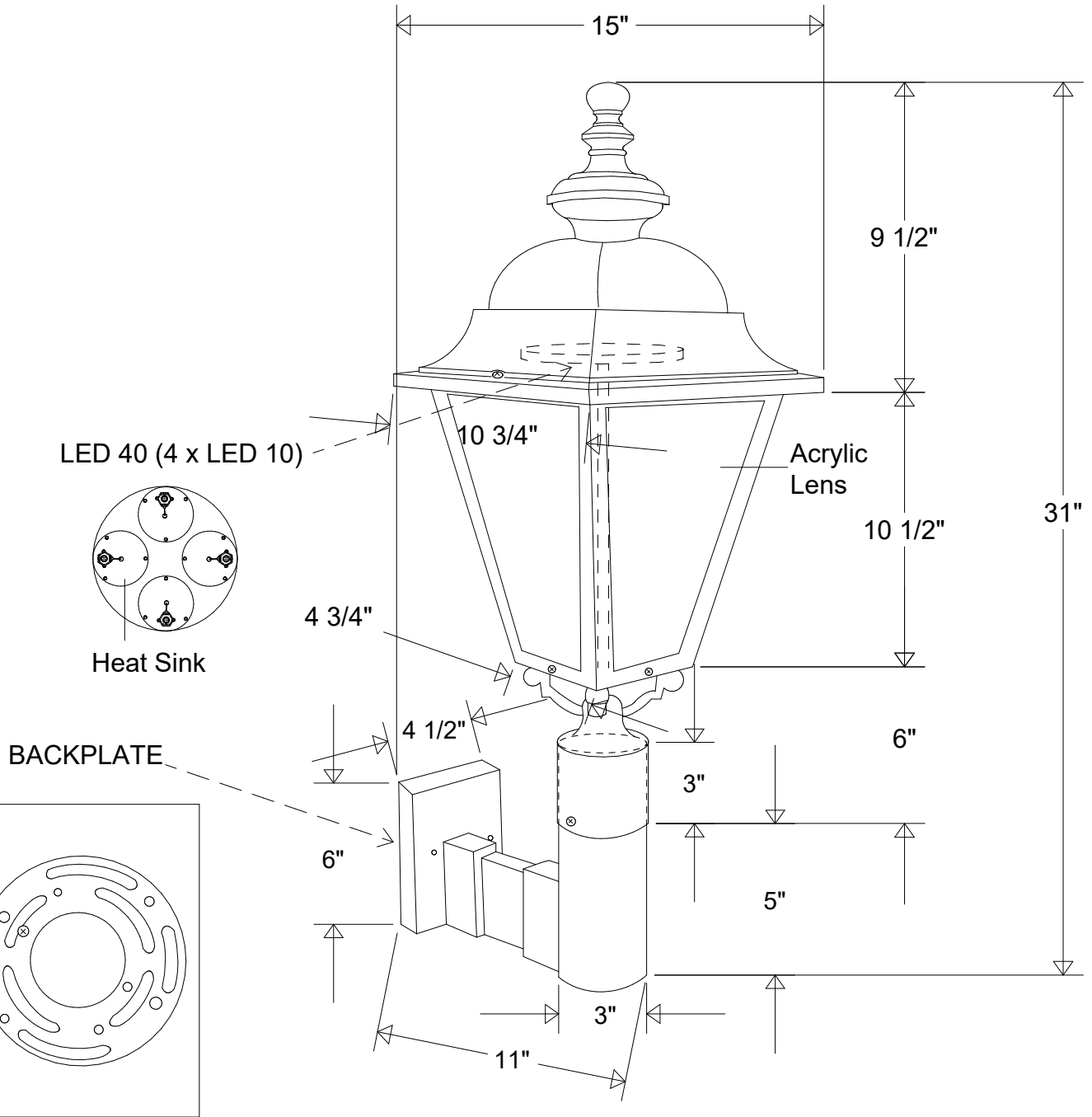


Primelite Manufacturing Corp

407 S Main St, Freeport, NY 11520

Phone: 516-868-4411 | Fax: 516-868-4609
 sales@primelite-mfg.com | www.primelite-mfg.com

PART # #3261	LAMP Incandescent LED	VOLTAGE 120 V	COLOR Powder Coated Paint
JOB NAME			TYPE Wall Sconce



Lamp: Incandescent | LED



LED 40 (4 X LED 10)

Construction: Aluminum | Acrylic

Unless Otherwise Specified:
Dimensions in Inches

Name	Date
Drawn CB	11/19
Checked	
ENG Appr.	
MFR Appr.	
QA	
Weight	

Wall Sconce #3261 LED 40

15" Ext | 31" H | Acrylic Lens
 Smoke | White | Clear | Frosted

Size A	Drawing No. 0001	Rev A
Scale	CAD File	Sheet 1 of 1

Revisions				
Zone	Rev	Description	Date	Approved