

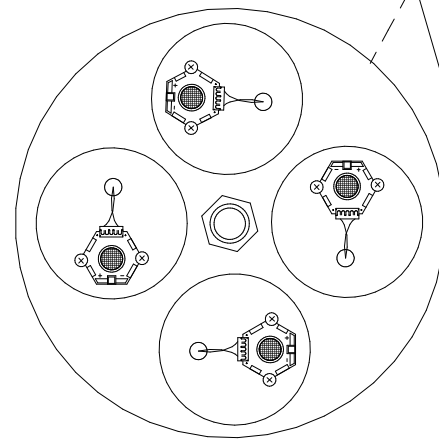
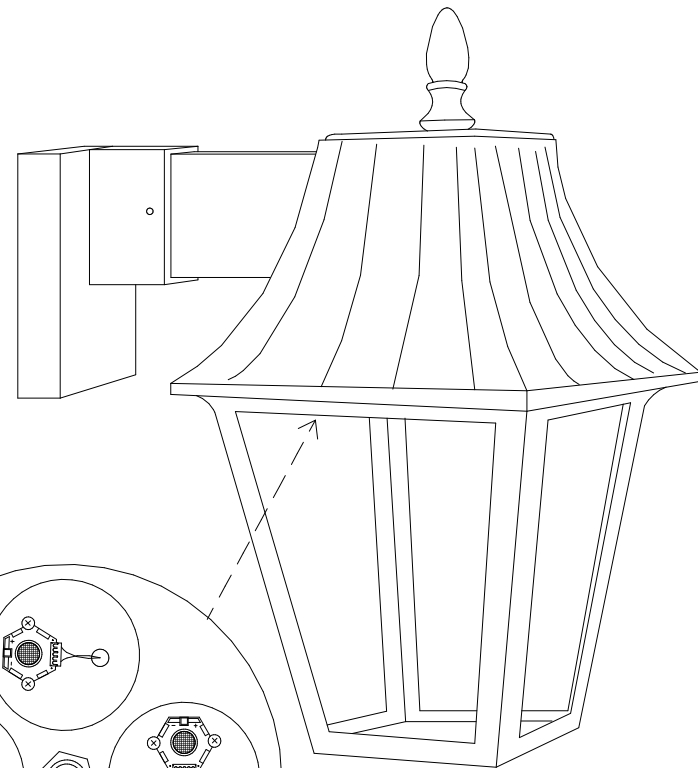
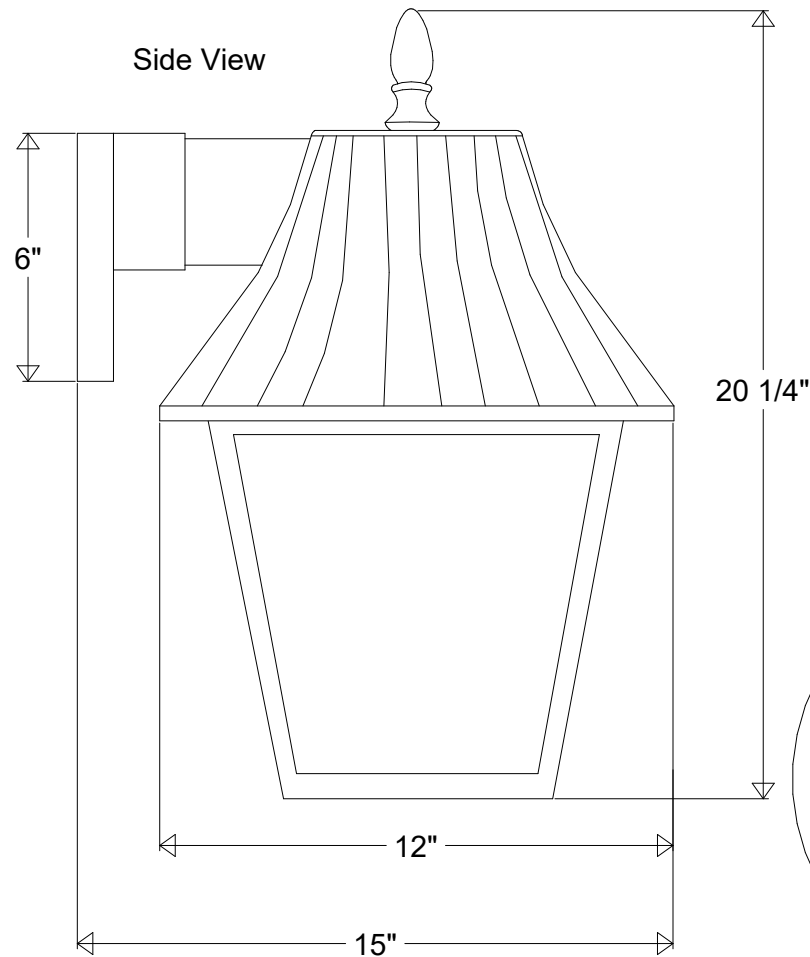


Primelite Manufacturing Corp

407 S Main St, Freeport, NY 11520

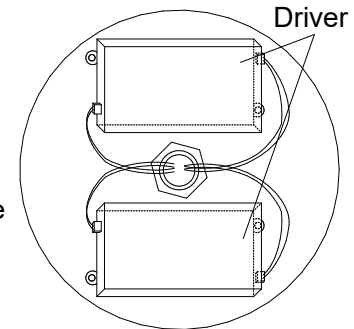
Phone: 516-868-4411 | Fax: 516-868-4609
 sales@primelite-mfg.com | www.primelite-mfg.com

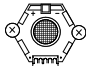
PART # #3231	LAMP Incandescent LED	VOLTAGE 120 V	COLOR Powder Coated Paint
JOB NAME			TYPE Wall Sconce



LED 40 = 4 x 10 Watt LED

Back Side



Lamp: Incandescent LED  LED 40 (4 X LED 10)	Name	Date	Wall Sconce #3231 LED 40 20 1/4" Ht 15" Ext 12" W Acrylic Lens Smoke White Clear Frosted	
	Drawn	CB		11/19
	Checked			
	ENG Appr.			
Construction: Aluminum Acrylic	MFR Appr.		Size A Drawing No. 0001 Rev A	
Unless Otherwise Specified: Dimensions in Inches	QA		Scale CAD File Sheet 1 of 1	

Revisions				
Zone	Rev	Description	Date	Approved