



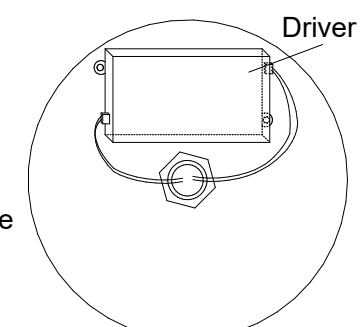
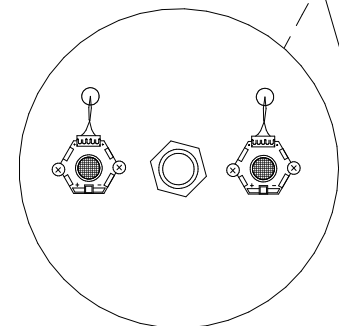
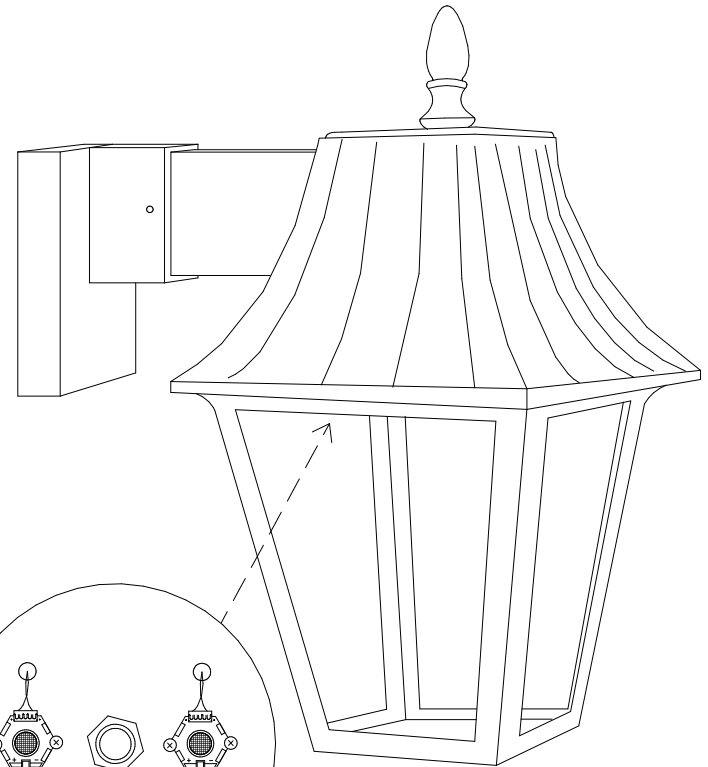
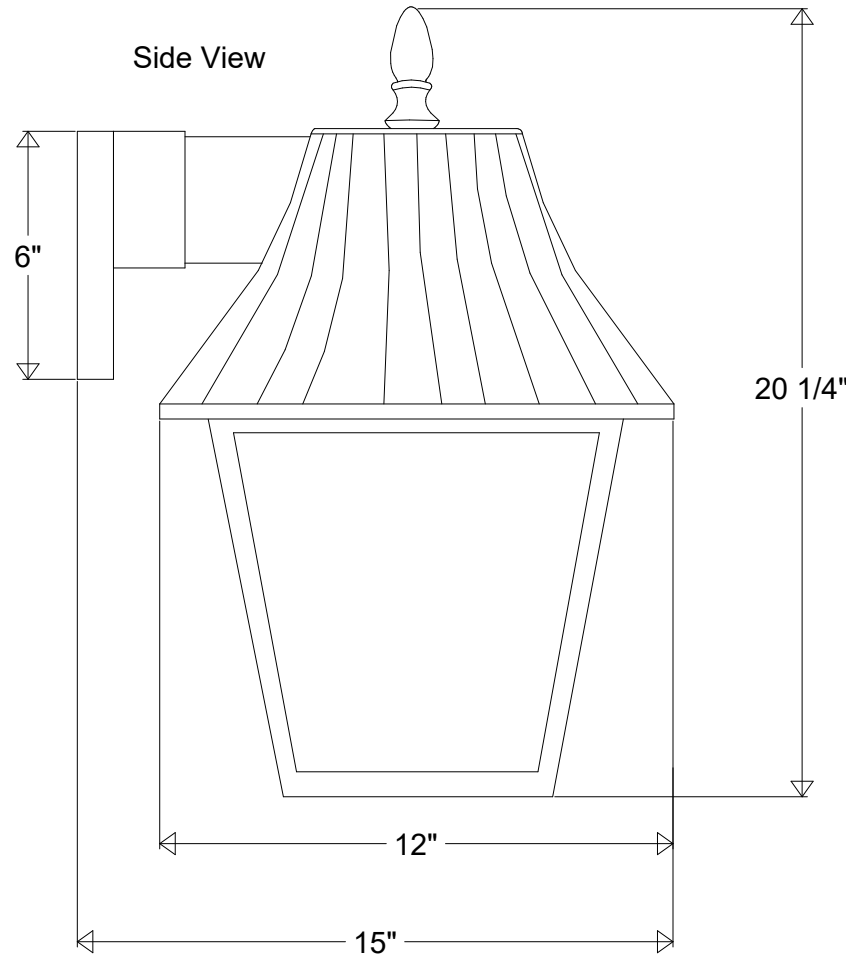
Primelite Manufacturing Corp

407 S Main St, Freeport, NY 11520

Phone: 516-868-4411 | Fax: 516-868-4609

sales@primelite-mfg.com | www.primelite-mfg.com

PART # #3231	LAMP Incandescent LED	VOLTAGE 120 V	COLOR Powder Coated Paint
JOB NAME			TYPE Wall Sconce



Lamp: Incandescent LED LED 20 (2 X LED 10)	Name	Date	Wall Sconce #3231 LED 20 20 1/4" Ht 15" Ext 12" W Acrylic Lens Smoke White Clear Frosted	
	Drawn	CB		11/19
	Checked			
	ENG Appr.			
MFR Appr.			Size Drawing No. Rev A 0001 A	
Construction: Aluminum Acrylic	QA			
Unless Otherwise Specified: Dimensions in Inches	Weight	Scale	CAD File Sheet 1 of 1	

Revisions				
Zone	Rev	Description	Date	Approved