

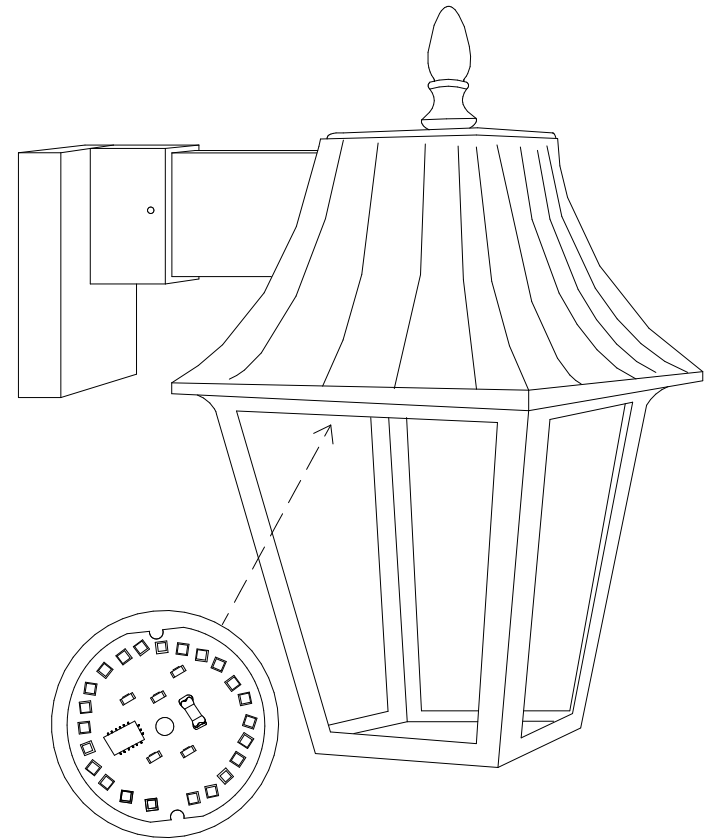
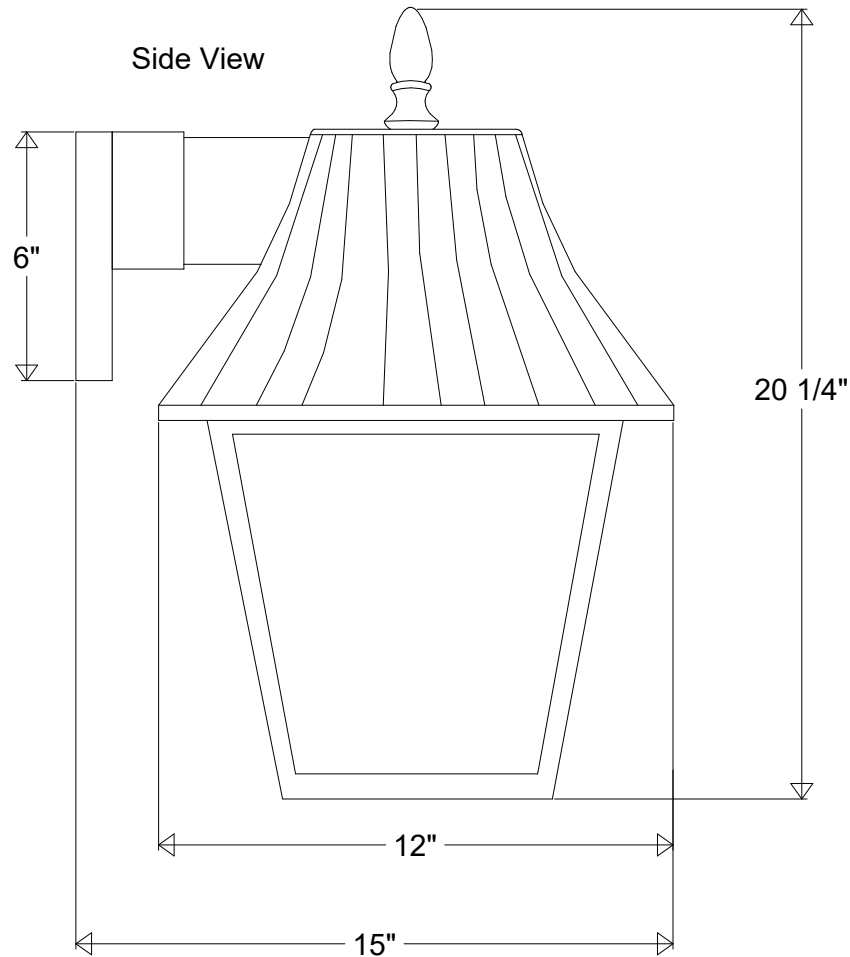


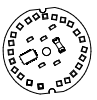
# Primelite Manufacturing Corp

407 S Main St, Freeport, NY 11520

Phone: 516-868-4411 | Fax: 516-868-4609  
 sales@primelite-mfg.com | www.primelite-mfg.com

<b>PART #</b> #3231	<b>LAMP</b> Incandescent   LED	<b>VOLTAGE</b> 120 V	<b>COLOR</b> Powder Coated Paint
<b>JOB NAME</b>			<b>TYPE</b> Wall Sconce



<b>Lamp: Incandescent   LED</b>  LED 16	<b>Name</b>	<b>Date</b>	<b>Wall Sconce #3231 LED 16</b>  20 1/4" Ht   15" Ext   12" W   Acrylic Lens Smoke   White   Clear   Frosted	
	<b>Drawn</b>	CB		11/19
	<b>Checked</b>			
	<b>ENG Appr.</b>			
<b>MFR Appr.</b>			<b>Size</b> <b>Drawing No.</b> <b>Rev</b> <b>A</b> <b>0001</b> <b>A</b>	
<b>Construction: Aluminum   Acrylic</b>	<b>QA</b>			
<b>Unless Otherwise Specified:</b> Dimensions in Inches	<b>Weight</b>	<b>Scale</b>	<b>CAD File</b> <b>Sheet</b> <b>1 of 1</b>	

Revisions				
Zone	Rev	Description	Date	Approved