

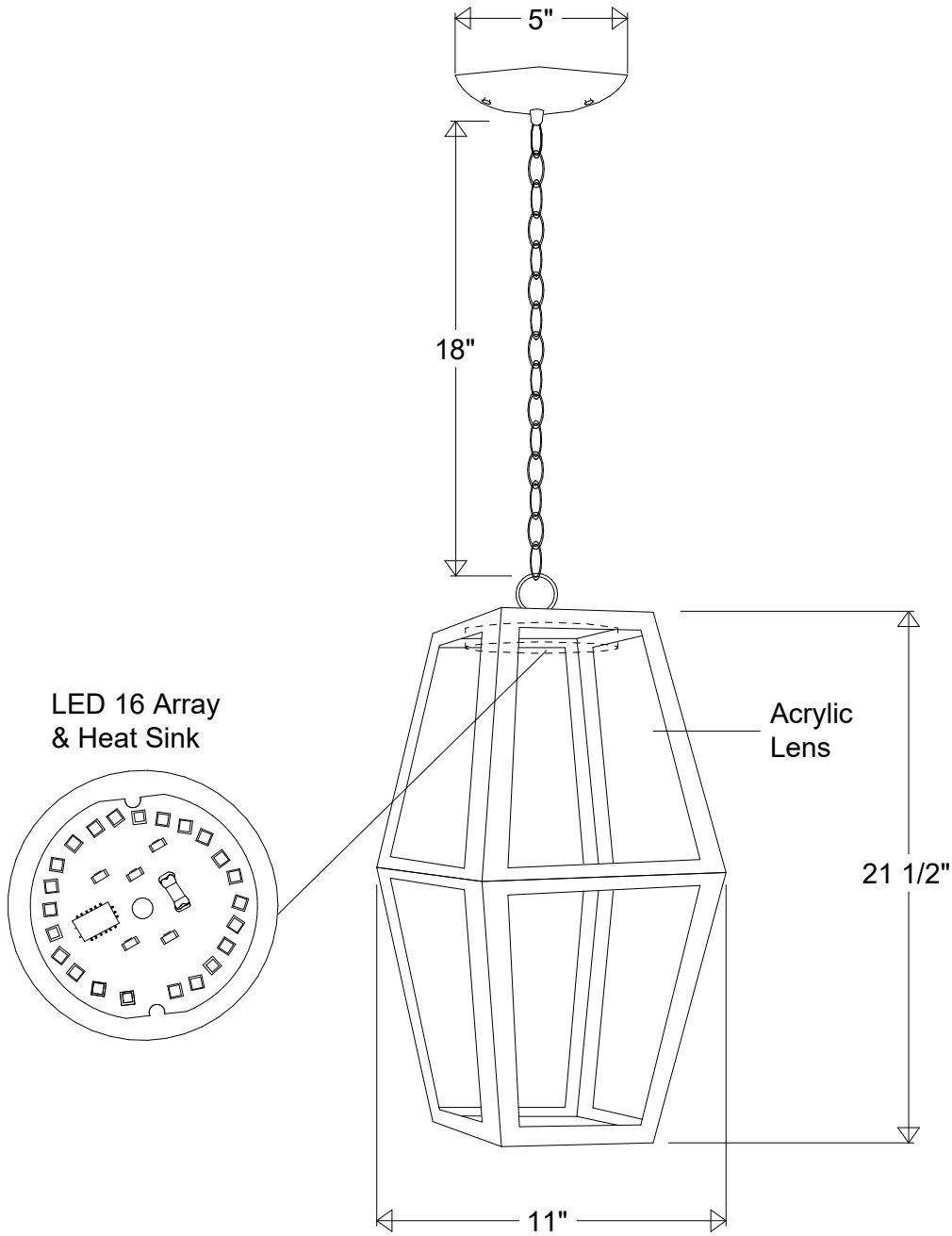



# Primelite Manufacturing Corp

407 S Main St, Freeport, NY 11520

Phone: 516-868-4411 | Fax: 516-868-4609  
 sales@primelite-mfg.com | www.primelite-mfg.com

PART # #321	LAMP Built-In LED	VOLTAGE 120 V	COLOR Powder Coated Paint
JOB NAME			TYPE Pendant



<b>Lamp: LED 16 Array</b> 1000 Lumens   75 W Inc Equivalent 	Name		Date		<b>Pendant #321 LED 16</b> 11" W   21 1/2" H   18" Chain   Acrylic Lens Smoke   White   Clear   Frosted																													
	Drawn	CB	1/2020																															
	Checked				Size	Drawing No.	Rev																											
	ENG Appr.				<b>A</b>	<b>0001</b>	<b>A</b>																											
Construction: Aluminum   Acrylic	QA				Scale	CAD File	Sheet																											
Unless Otherwise Specified: Dimensions in Inches	Weight						<b>1 of 1</b>																											
					<table border="1"> <thead> <tr> <th colspan="5">Revisions</th> </tr> <tr> <th>Zone</th> <th>Rev</th> <th>Description</th> <th>Date</th> <th>Approved</th> </tr> </thead> <tbody> <tr> <td> </td> <td> </td> <td> </td> <td> </td> <td> </td> </tr> <tr> <td> </td> <td> </td> <td> </td> <td> </td> <td> </td> </tr> <tr> <td> </td> <td> </td> <td> </td> <td> </td> <td> </td> </tr> </tbody> </table>					Revisions					Zone	Rev	Description	Date	Approved															
Revisions																																		
Zone	Rev	Description	Date	Approved																														