



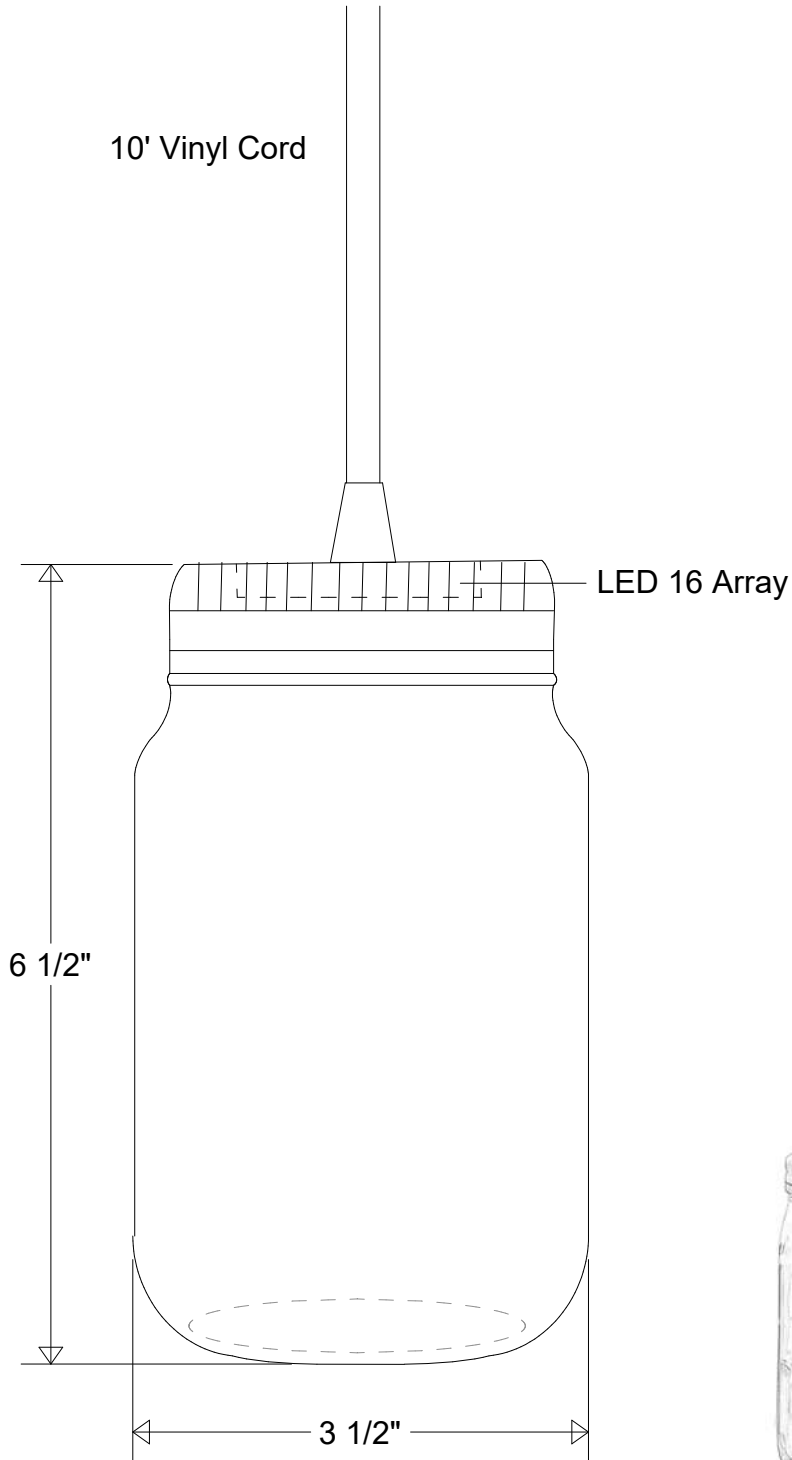
Primelite Manufacturing Corp

407 S Main St, Freeport, NY 11520

Phone: 516-868-4411 | Fax: 516-868-4609
 sales@primelite-mfg.com | www.primelite-mfg.com

PART # #32	LAMP Incandescent LED	VOLTAGE 120 V	COLOR Powder Coated Paint
JOB NAME			TYPE Pendant

10' Vinyl Cord



Lamp: Incandescent | LED



LED 16

Construction: Aluminum | Glass

Unless Otherwise Specified:
Dimensions in Inches

Name	Date	Pendant #32 LED 16		
Drawn CB	10/19	3 1/2" Dia 6 1/2" Ht 10' Vinyl Cord 1000 Lumens 62 Lm/W 27K Only		
Checked		Size	Drawing No.	Rev
ENG Appr.		A	0001	A
MFR Appr.		Scale	CAD File	Sheet
QA				1 of 1
Weight				

Revisions				
Zone	Rev	Description	Date	Approved