

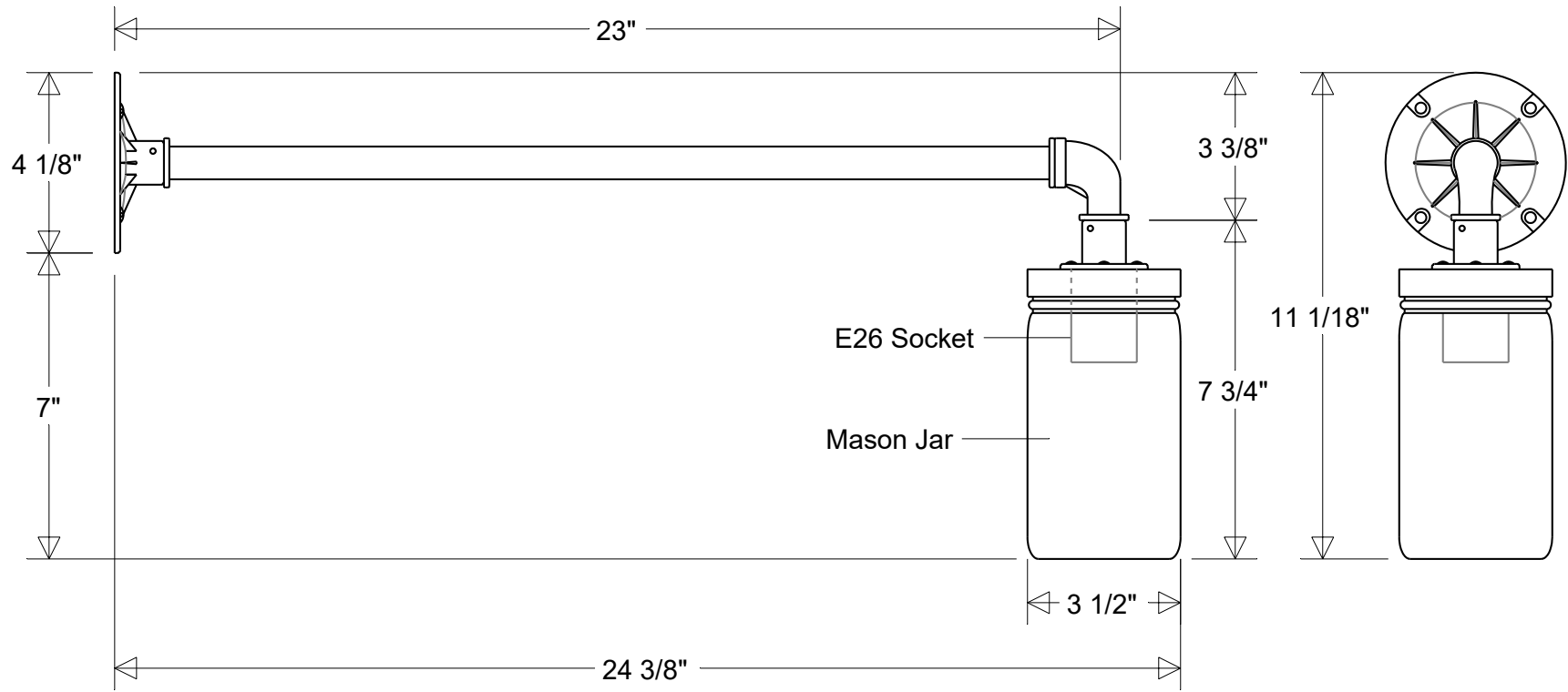


Primelite Manufacturing Corp.

407 S Main St, Freeport, NY 11520
 Phone: (516) 868-4411 | Fax: (516) 868-4609
 sales@primelite-mfg.com | www.primelite-mfg.com

PROUDLY MADE IN THE USA SINCE 1962!
"SPECIALTIES ARE OUR SPECIALTY!"

Job Info



#32/855

3 1/2" Dia | 24 3/8" Ext | 11 1/8" H
 Shade: #32A | Arm: #855

Lamp: E26 Socket	Finish:	Drawn:	Scale:	Approvals
Max Wattage: 40 W	29 Oven Baked	CB	1/4	
Number of Sockets: 1	Powder Coated Paints	05/2024		
Voltage:	Material:	Note:		
120 V	Aluminum	All dimensions are nominal.		
	Clear Glass Mason Jar	Actual dimensions may vary.		