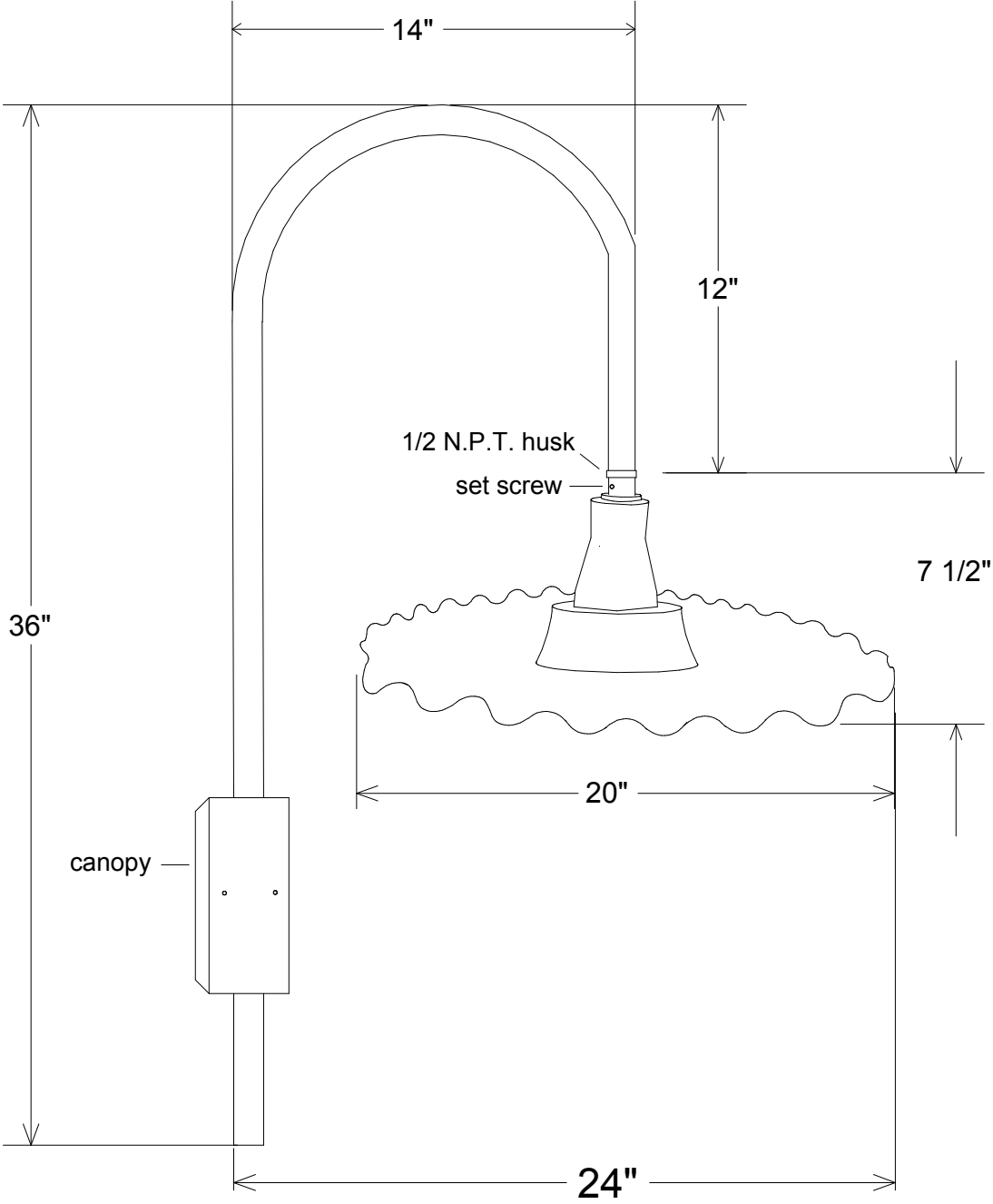


Revisions				
Zone	Rev	Description	Date	Approved



Unless Otherwise Specified: Dimensions in Inches Tolerances: Fractional ± Angular: Mach ± Bend ± Two Place Decimal ± Three Place Decimal ±	Name		Date	Primelite Mfg. Corp. 30-20/862 20" Radial Wave W/ 862 Arm		
	Drawn	T.A.R.	11/03/09			
	Checked					
	ENG Appr.					
	MFR Appr.					
QA						
Comments	CAD Generated Drawing Do Not Manually Update			Size	Drawing No.	Rev
Construction: All Aluminum				A	0001	A
Pipe Size: 1/2"				Scale	CAD File	Sheet
Lamp: 1-200A				1:6		1 of 1