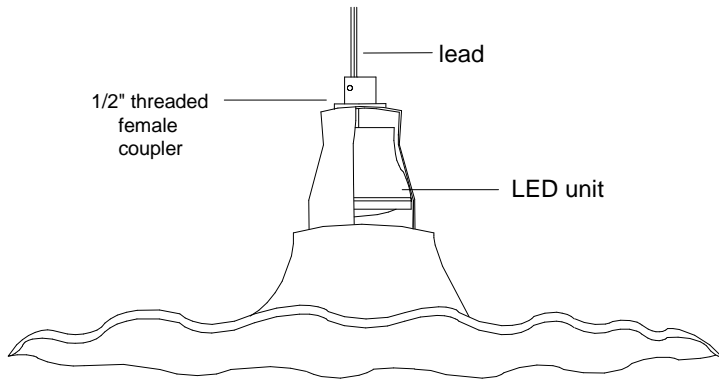
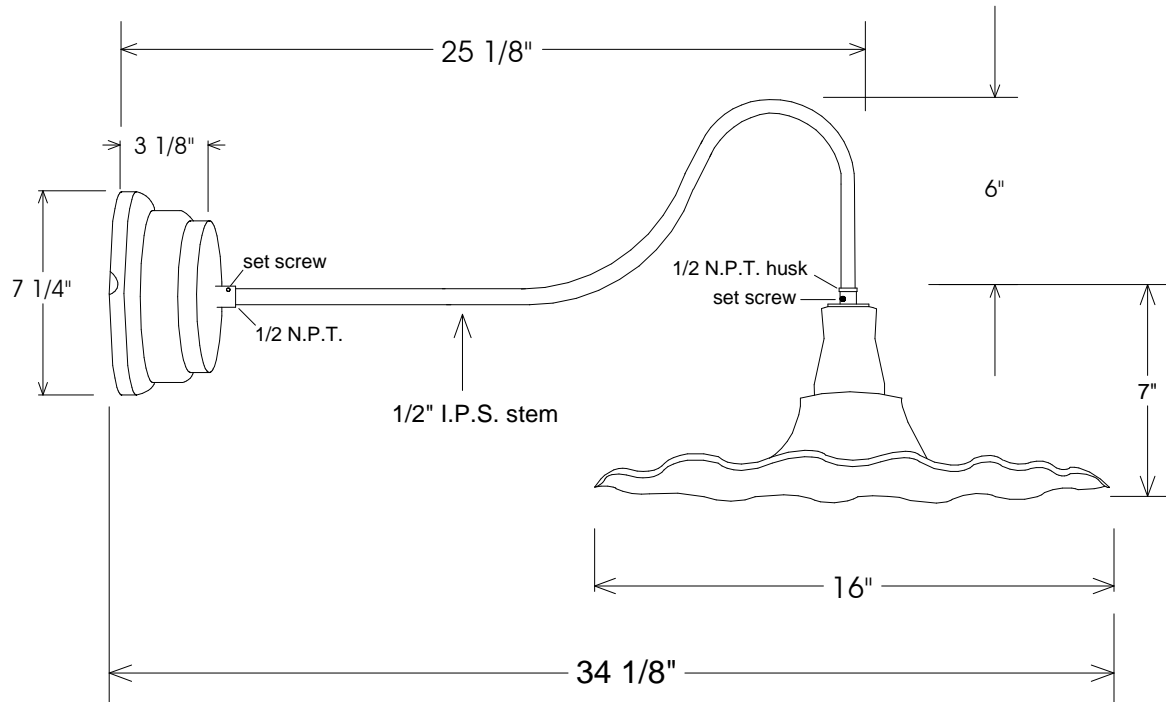
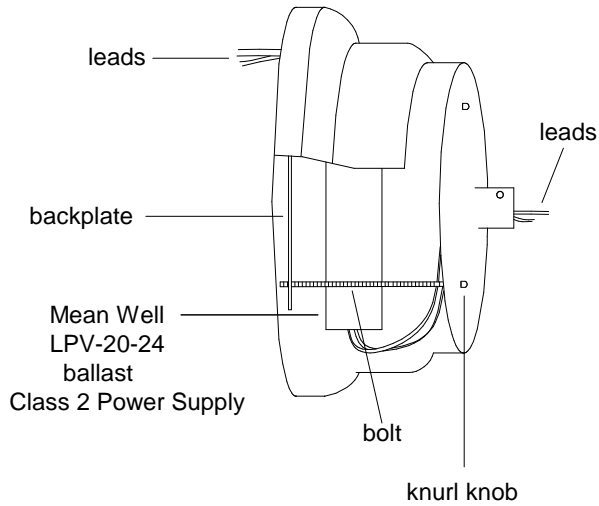


# Small Ballast Pot Canopy



30/16A Shade

- 50,000 hour life
- Average savings is \$39.42 per year as compared to a 75 Watt incandescent
- Savings of \$ 518.16 for the life of the fixture
- Lumen output is equal to a 75 Watt bulb.

<b>Unless Otherwise Specified:</b> Dimensions in Inches Tolerances: Fractional ± Angular: Mach ± Bend ± Two Place Decimal ± Three Place Decimal ±	Drawn	Name	Date	<b>Primelite Mfg. Corp.</b>		
	Checked	T.A.R.	02/07/12			
	ENG Appr.			<b>30/16-857 LED</b> <b>24 Watt 1000 Lumens @ 3000K</b> <b>1250 Lumens @ 4000K</b> <b>24 Volt Output</b>		
	MFR Appr.					
	QA					
<b>Construction: All Aluminum</b> <b>Pipe Size: 1/2"</b>	Comments CAD Generated Drawing Do Not Manually Update			Size <b>A</b>	Drawing No. <b>0001</b>	Rev <b>A</b>
	Scale		CAD File	Sheet	<b>1 of 1</b>	