

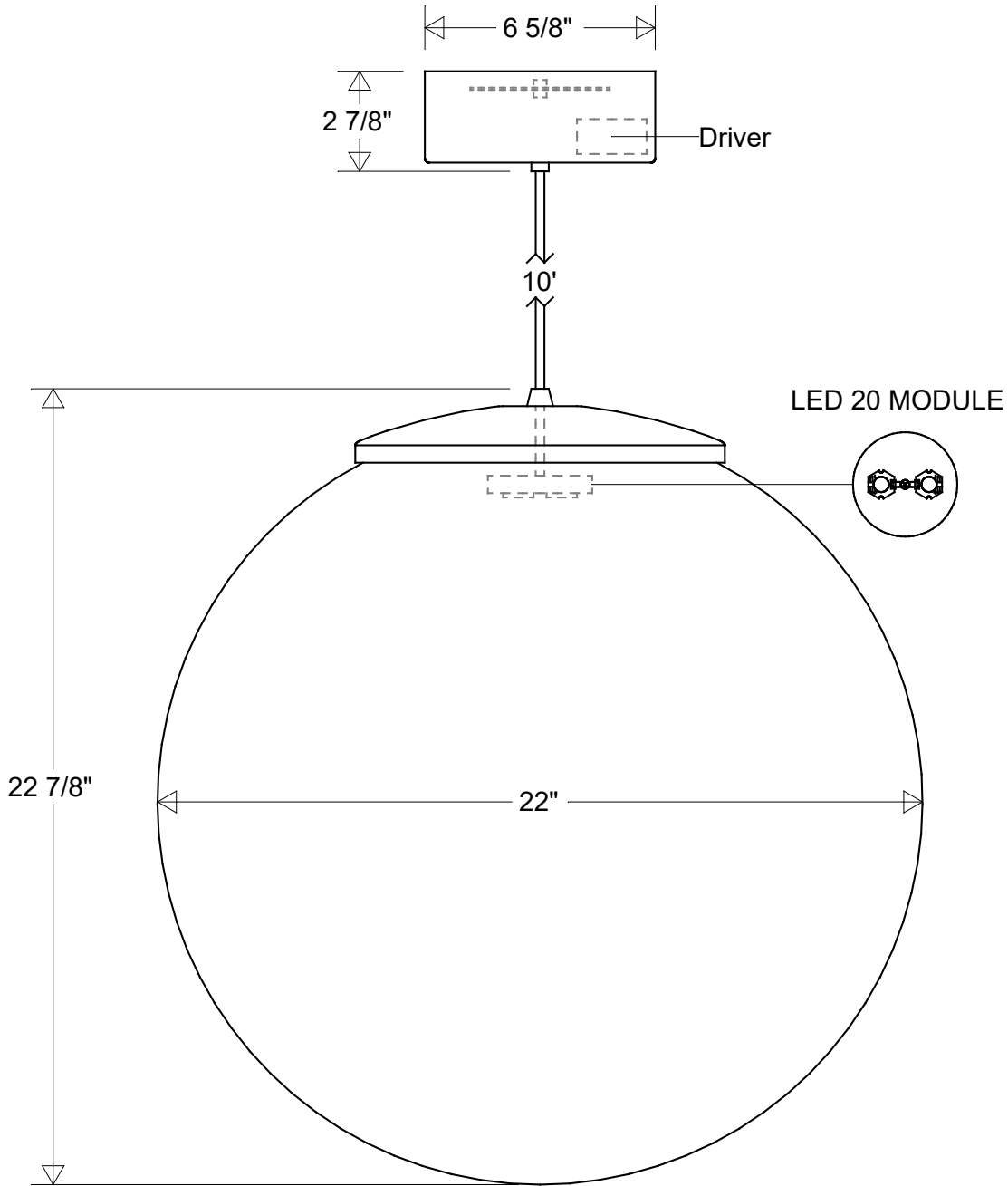


Primelite Manufacturing Corp

407 S Main St, Freeport, NY 11520

Phone: 516-868-4411 | Fax: 516-868-4609
 sales@primelite-mfg.com | www.primelite-mfg.com

PART # #292 LED 20	LAMP Built-In LED	VOLTAGE 120 V	COLOR Powder Coated Paint
JOB NAME			TYPE Pendant



Lamp: LED 10 Chip
 200 W Inc Equivalent
 3K = 2530 Lumens
 4K = 2550 Lumens



	Initials	Date
Drawn	CB	12/2022
Checked		
ENG Appr.		
MFR Appr.		
QA		

Pendant #292 LED 20

22" Dia | 10' Vinyl Cord: Black | White
 Acrylic Globe: Smoke (/1) | White (/3) | Clear (/4)

Size	Drawing No.	Rev
A	0001	A

Revisions				
Zone	Rev	Description	Date	Appr

Construction:
 Aluminum | Acrylic

Unless Otherwise Specified:
 Dimensions in Inches

Weight:

Scale

CAD File

Sheet

1 of 1