

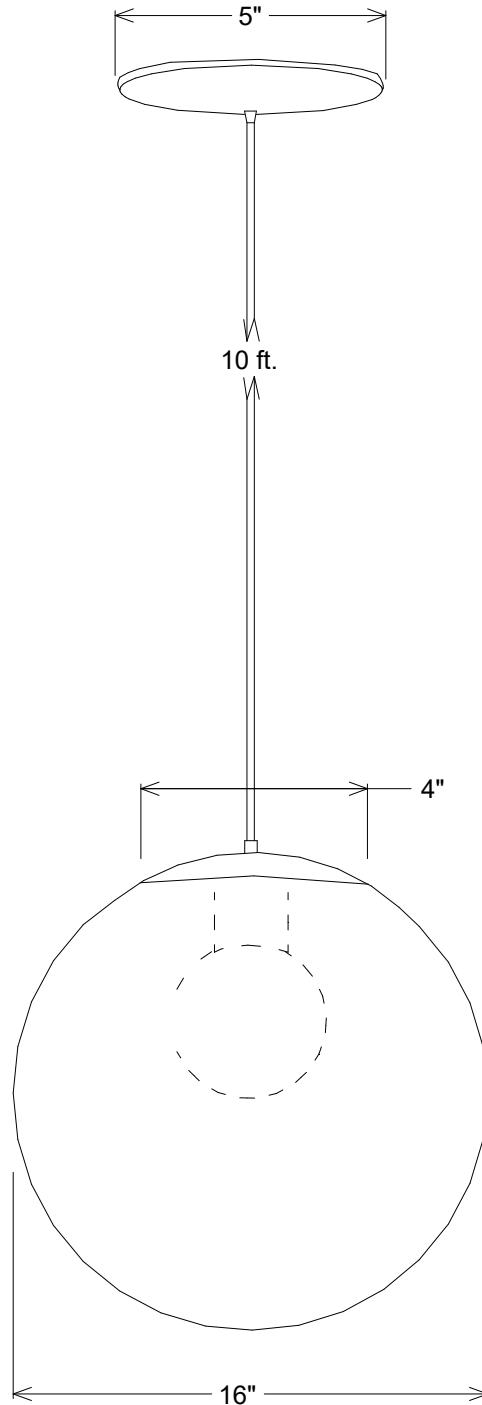


Primelite Manufacturing Corp

407 S Main St, Freeport, NY 11520

Phone: 516-868-4411 | Fax: 516-868-4609
 sales@primelite-mfg.com | www.primelite-mfg.com

PART # #286	LAMP Incandescent LED	VOLTAGE 120 V	COLOR Powder Coated Paint
JOB NAME			TYPE Gooseneck



Lamp: Incandescent



1/200A | LED50 (LED10 x5) | LED90 (LED18 x5)

Name Date

Drawn MM 09/2018

Checked

ENG Appr.

MFR Appr.

QA

Color
Smoked #286/1 | White #286/3
Clear #286/4

Globe Pendant #286

16" Dia | 10' Vinyl Cord
 Smoked #286/1 | White #286/3 | Clear #286/4

Size Drawing No. Rev
A 0001 A

Scale CAD File Sheet
1 of 1

Revisions				
Zone	Rev	Description	Date	Approved