

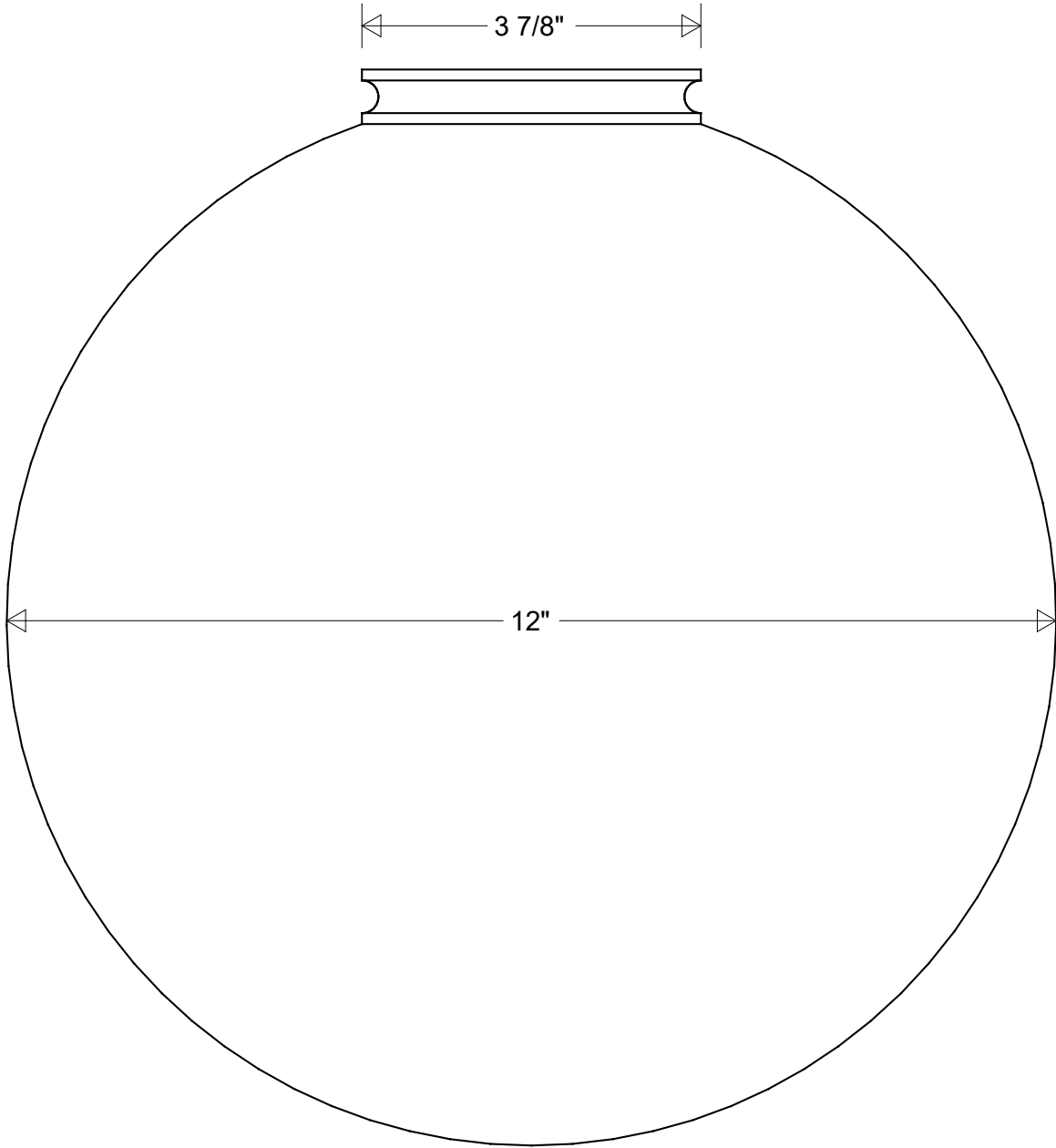


Primelite Manufacturing Corp

407 S Main St, Freeport, NY 11520

Phone: 516-868-4411 | Fax: 516-868-4609
 sales@primelite-mfg.com | www.primelite-mfg.com

PART # #282 GNO	LAMP N/A	VOLTAGE N/A	COLOR See Below
JOB NAME			TYPE Globe Only



Lamp: N/A	Initials	Date	Globe #282 GNO																													
	Drawn	CB						09/2022																								
	Checked			12" Dia Globe 3 7/8" Dia Neck Acrylic Globe: Smoke (/1) White (/3) Clear (/4)																												
ENG Appr.			<table border="1"> <thead> <tr> <th colspan="5">Revisions</th> </tr> <tr> <th>Zone</th> <th>Rev</th> <th>Description</th> <th>Date</th> <th>Appr</th> </tr> </thead> <tbody> <tr> <td> </td> <td> </td> <td> </td> <td> </td> <td> </td> </tr> <tr> <td> </td> <td> </td> <td> </td> <td> </td> <td> </td> </tr> <tr> <td> </td> <td> </td> <td> </td> <td> </td> <td> </td> </tr> </tbody> </table>						Revisions					Zone	Rev	Description	Date	Appr														
Revisions																																
Zone	Rev	Description	Date	Appr																												
Construction: Acrylic	MFR Appr.		Size	Drawing No.	Rev	<table border="1"> <tr> <td>A</td> <td>0001</td> <td>A</td> </tr> </table>					A	0001	A																			
A	0001	A																														
	QA																															
Unless Otherwise Specified: Dimensions in Inches	Weight:		Scale	CAD File	Sheet	<table border="1"> <tr> <td colspan="5" style="text-align: center;">1 of 1</td> </tr> </table>					1 of 1																					
1 of 1																																