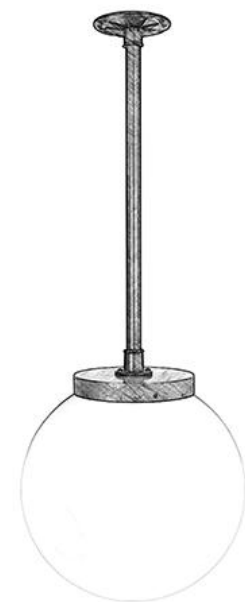
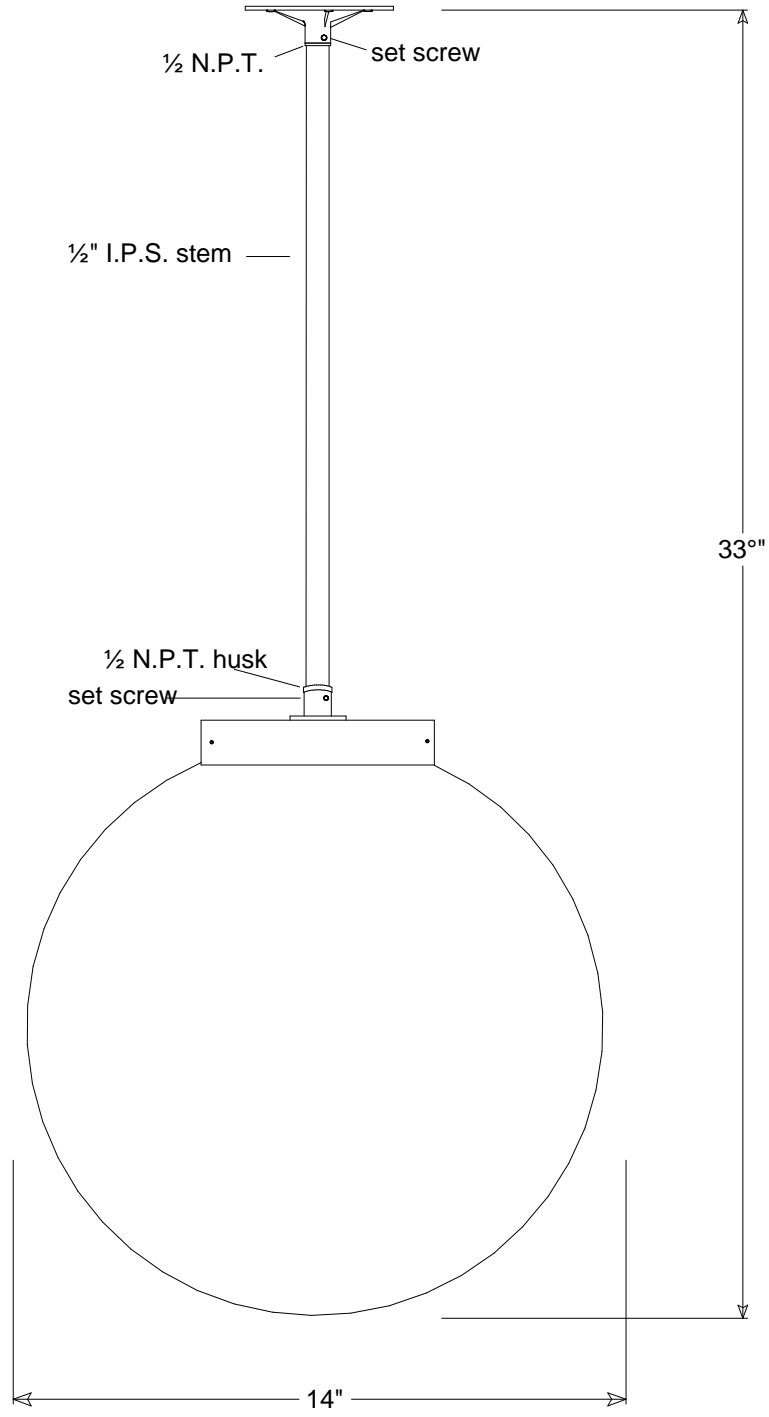




Primelite Manufacturing Corp

407 S Main St, Freeport, NY 11520
 Phone: 516-868-4411 | Fax: 516-868-4609
 sales@primelite-mfg.com | www.primelite-mfg.com

PART # #282/3N-18	LAMP Incandescent LED	VOLTAGE 120V	COLOR Powder Coated Paint
JOB NAME			TYPE Globe Pendant



Lamp: Incandescent LED 1/200A LED14	Name	Date	Pendant #282/3N-18			
	Drawn	iv				08/15/18
	Checked			14" Dia Globe Acrylic 18" Stem		
	ENG Appr.					
Construction: Aluminum, Acrylic	MFR Appr.		Size	Drawing No.	Rev	
Unless Otherwise Specified: Dimensions in Inches	QA		A	0001	A	
	Comments		Scale	CAD File	Sheet	
					1 of 1	

Revisions				
Zone	Rev	Description	Date	Approved