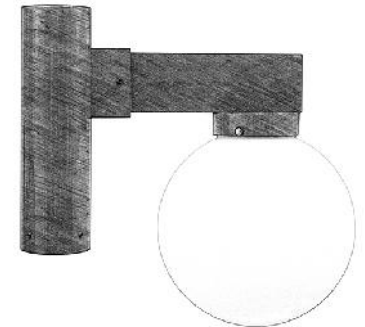
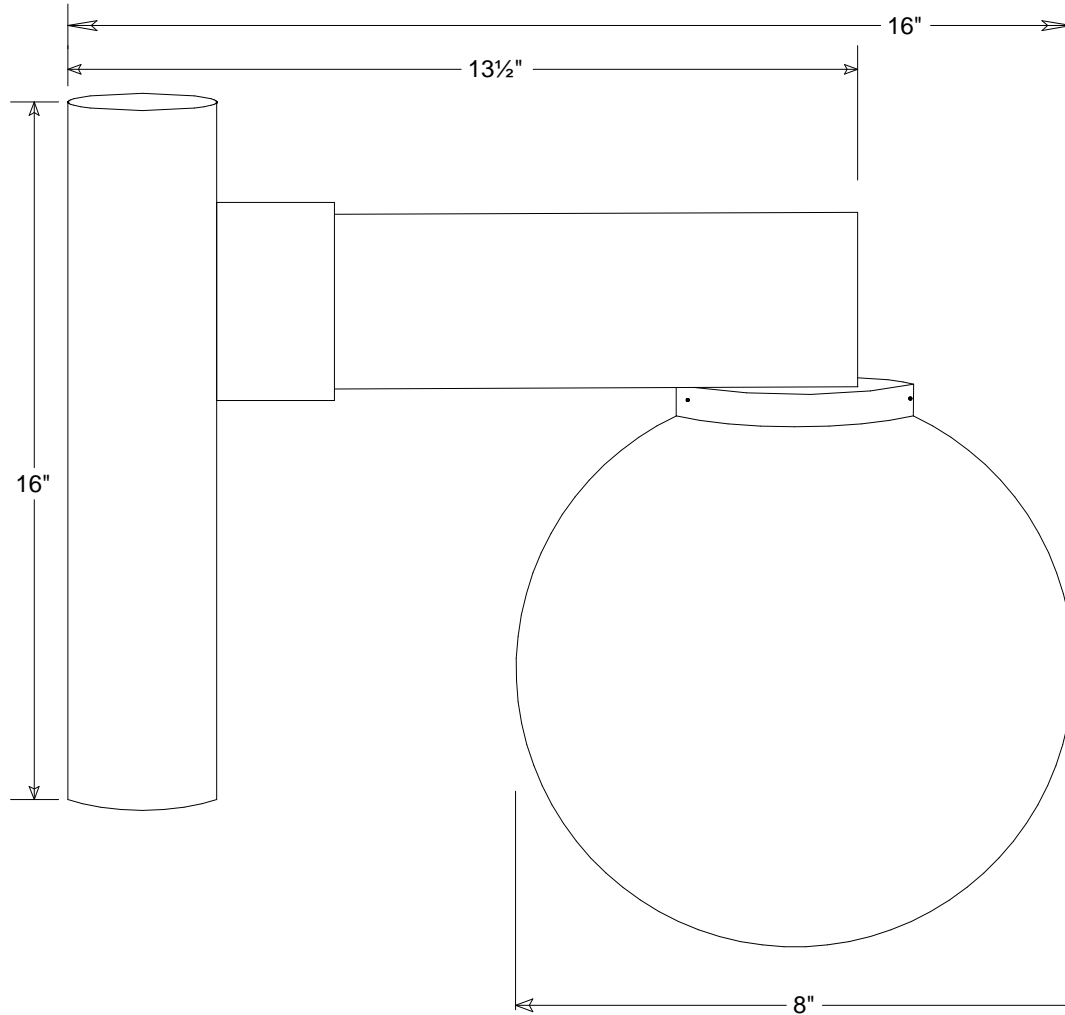






Primelite Manufacturing Corp

407 S Main St, Freeport, NY 11520
 Phone: 516-868-4411 | Fax: 516-868-4609
 sales@primelite-mfg.com | www.primelite-mfg.com

PART # #282/3-1871	LAMP Incandescent LED	VOLTAGE 120 V	COLOR Powder Coated Paint
JOB NAME			TYPE Post Mount Globe



Lamp: Incandescent LED   1/100A LED12 3K	Name	Date	Post Mount #282/3-1871			
	Drawn	lv				08/15/18
	Checked			8" Dia Globe 13 1/2" Arm 3" Post Mount		
	ENG Appr.					
	MFR Appr.					
Construction: Aluminum	QA		Size A	Drawing No. 0001	Rev A	
Unless Otherwise Specified: Dimensions in Inches	Comments		Scale	CAD File	Sheet 1 of 1	

Revisions				
Zone	Rev	Description	Date	Approved