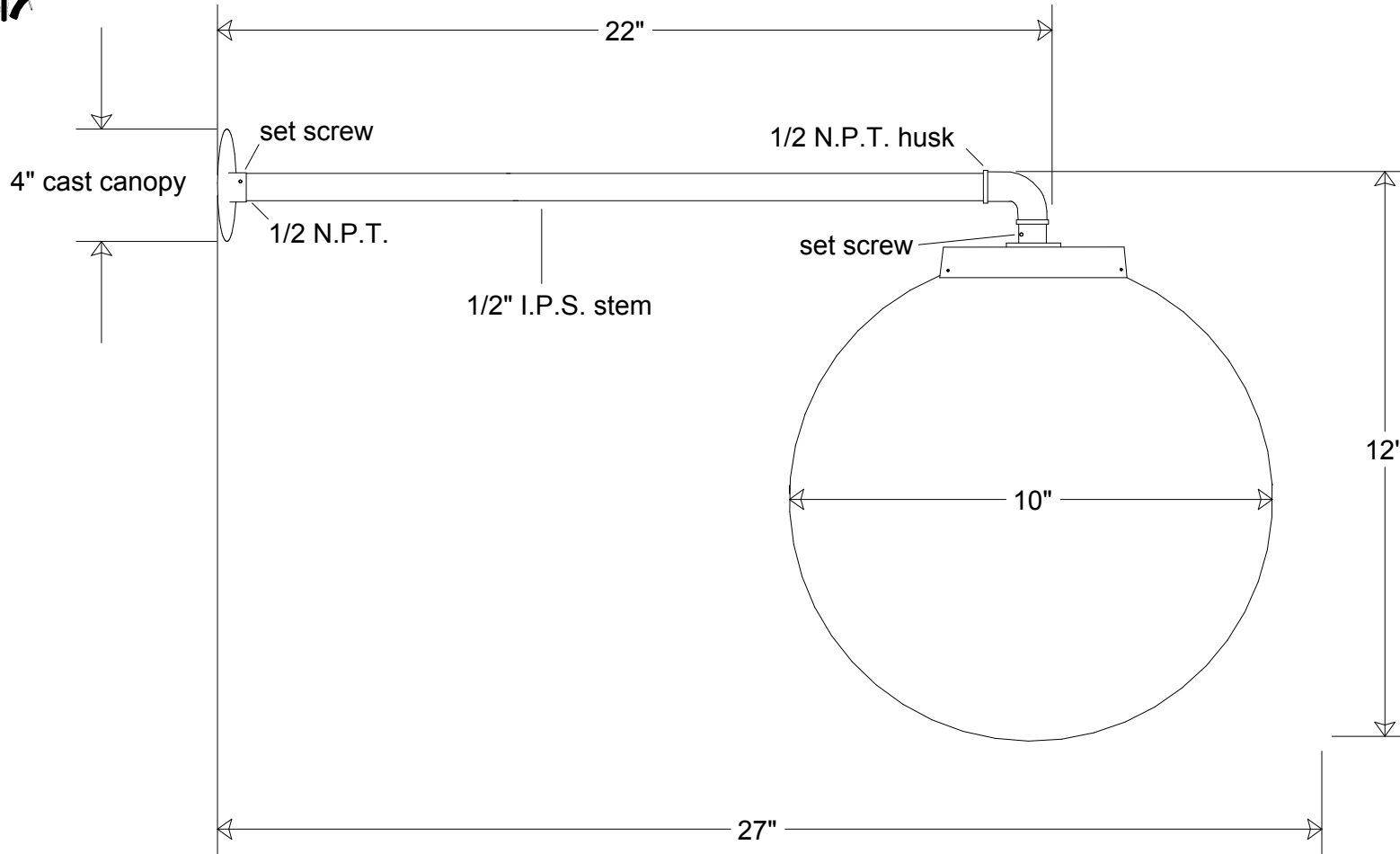




# Primelite Manufacturing Corp

407 S Main St, Freeport, NY 11520  
 Phone: 516-868-4411 | Fax: 516-868-4609  
 sales@primelite-mfg.com | www.primelite-mfg.com

<b>PART #</b> 280N/855	<b>LAMP</b> Incandescent   LED	<b>VOLTAGE</b> 120 V	<b>COLOR</b> Powder Coated Paint
<b>JOB NAME</b>			<b>TYPE</b> Wall Bracket



Lamp: Incandescent | LED



LED12

<b>Name</b>	<b>Date</b>	<b>Wall Bracket #280N/855-LED12</b>		
Drawn	CB	4/2019		
Checked				
ENG Appr.				
MFR Appr.				
QA		Size	Drawing No.	Rev
Weight		<b>A</b>	<b>0001</b>	<b>A</b>
<b>Unless Otherwise Specified:</b> Dimensions in Inches		Scale	CAD File	Sheet
				<b>1 of 1</b>

Revisions				
Zone	Rev	Description	Date	Approved