

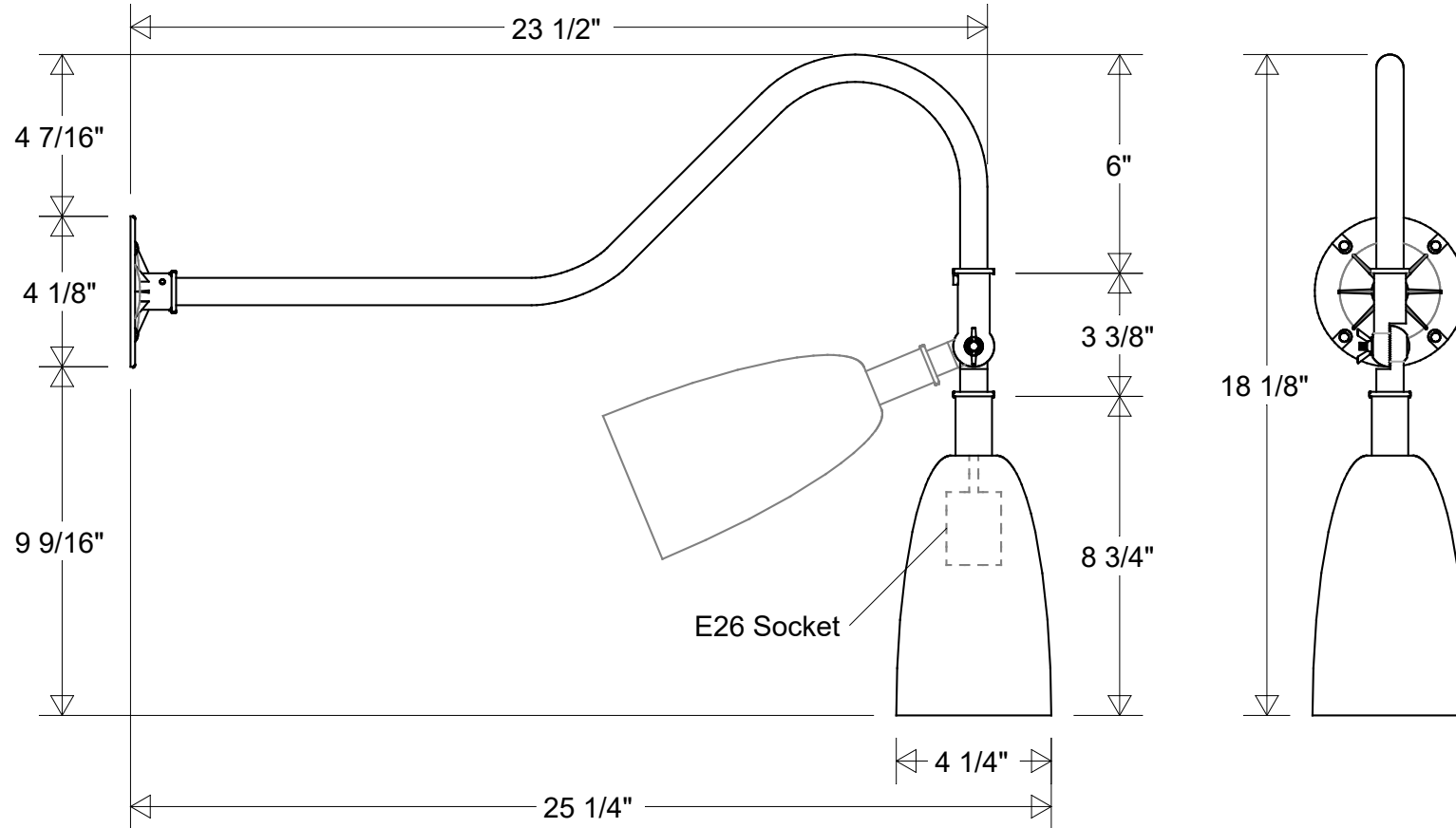


Primelite Manufacturing Corp

407 S Main St, Freeport, NY 11520

Phone: 516-868-4411 | Fax: 516-868-4609
 sales@primelite-mfg.com | www.primelite-mfg.com

| | | | |
|-----------------------|--------------------|------------------|------------------------------|
| PART # #28/850 ESW | LAMP E26 Socket | VOLTAGE 120 V | COLOR Powder Coated Paint |
| JOB NAME | | | TYPE Gooseneck |



| | | | | | | | | | | |
|---|-----------|------|--------------------|---|---------------|-----------|-----|-------------|------|------|
| Lamp: E26 Socket Max Wattage: 75 W | Initials | Date | #28/850 ESW | | | | | | | |
| | Drawn | CB | | | | | | 04/2023 | | |
| | Checked | | | 4 1/4" Dia 25 1/4" Ext 18 1/8" H 6" Drop 9 9/16" Below Box | | | | | | |
| | ENG Appr. | | | | | | | | | |
| Construction: Aluminum | MFR Appr. | | Size | Drawing No. | Rev | Revisions | | | | |
| | QA | | A | 0001 | A | Zone | Rev | Description | Date | Appr |
| Unless Otherwise Specified: Dimensions in Inches | Weight: | | Scale | CAD File | Sheet | | | | | |
| | | | | | 1 of 1 | | | | | |