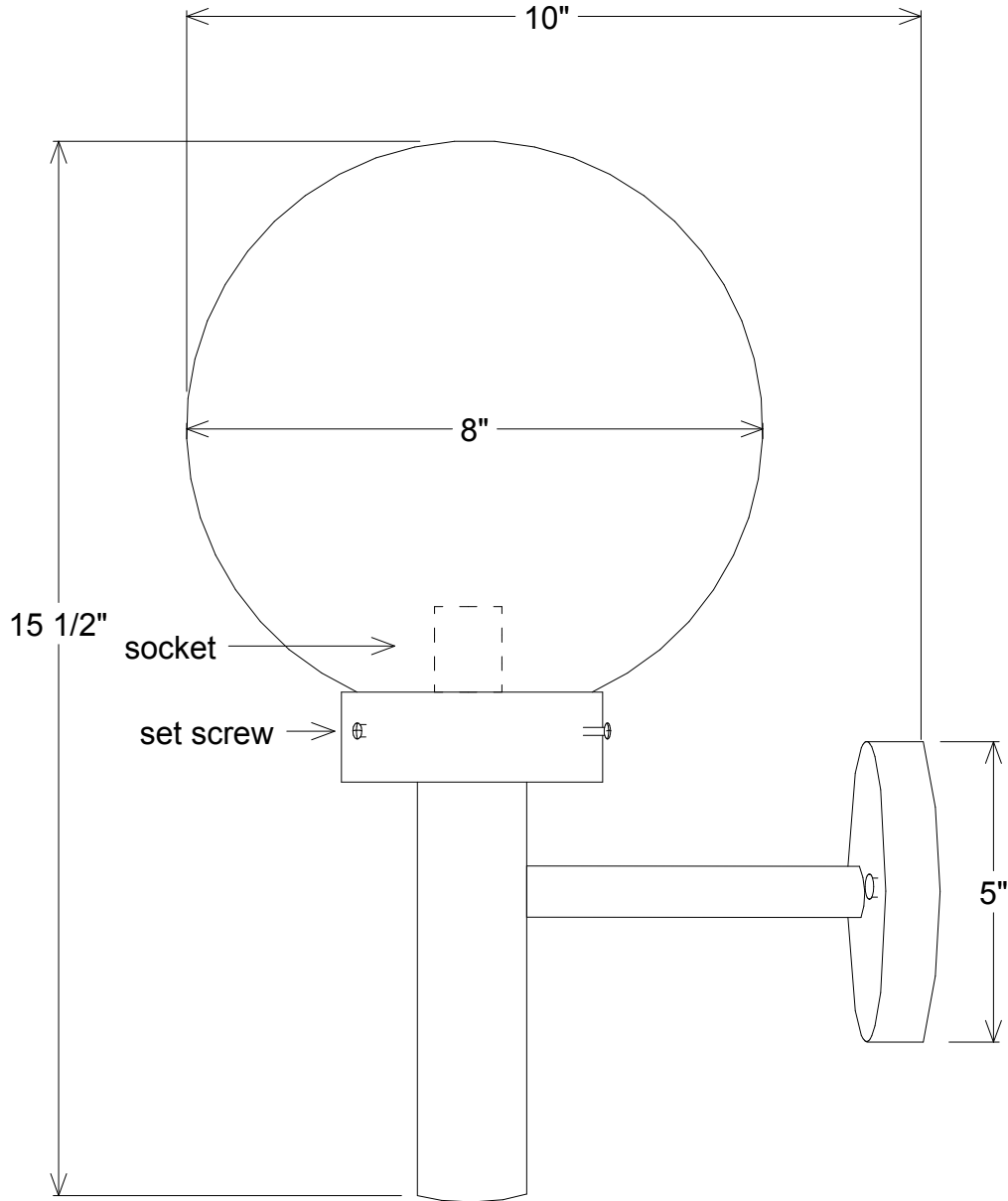


| Revisions | | | | |
|-----------|-----|-------------|------|----------|
| Zone | Rev | Description | Date | Approved |
| | | | | |
| | | | | |
| | | | | |



| | | | | | | | |
|--|---|-------------|-------------|--|-------------------------|-----------------------------------|------------------------|
| Unless Otherwise Specified: Dimensions in Inches Tolerances: Fractional ± Angular: Mach ± Bend ± Two Place Decimal ± Three Place Decimal ± | | Name | Date | Primelite Mfg. Corp. 2781 Acrylic | | | |
| | Drawn | T.A.R. | 04/15/10 | | | | |
| | Checked | | | | Size A | Drawing No. 0001 | Rev A |
| | ENG Appr. | | | | | | |
| | MFR Appr. | | | | | | |
| QA | | | | Scale 1:2 | | | |
| Comments | CAD Generated Drawing Do Not Manually Update | | | CAD File | | Sheet 1 of 1 | |
| Construction: All Aluminum | | | | | | | |
| Lamp: 1-75A | | | | | | | |