

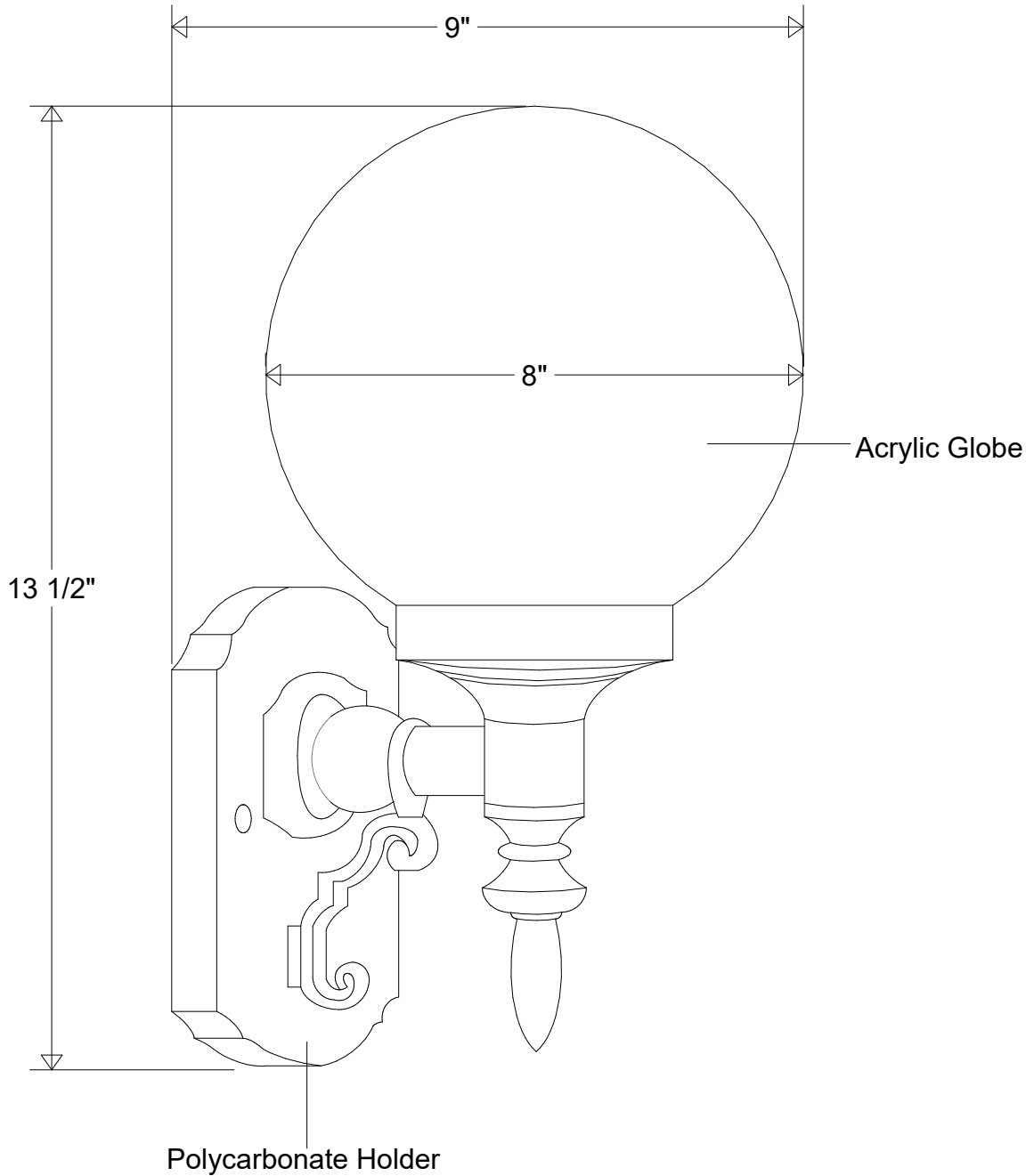



Primelite Manufacturing Corp

407 S Main St, Freeport, NY 11520

Phone: 516-868-4411 | Fax: 516-868-4609
 sales@primelite-mfg.com | www.primelite-mfg.com

PART # #2767	LAMP Incandescent	VOLTAGE 120 V	COLOR Powder Coated Paint
JOB NAME			TYPE Wall Sconce



Lamp: Incandescent Max Wattage: 1775A 	Name		Date		Wall Sconce #2767 8" Dia 9" Ext 13 1/2" H Holder: Black/White Globe: White/Clear																																		
	Drawn	CB	2/2020																																				
	Checked				<table border="1" style="width: 100%; border-collapse: collapse;"> <thead> <tr> <th colspan="5">Revisions</th> </tr> <tr> <th>Zone</th> <th>Rev</th> <th>Description</th> <th>Date</th> <th>Approved</th> </tr> </thead> <tbody> <tr><td> </td><td> </td><td> </td><td> </td><td> </td></tr> <tr><td> </td><td> </td><td> </td><td> </td><td> </td></tr> <tr><td> </td><td> </td><td> </td><td> </td><td> </td></tr> <tr><td> </td><td> </td><td> </td><td> </td><td> </td></tr> </tbody> </table>					Revisions					Zone	Rev	Description	Date	Approved																				
	Revisions																																						
Zone	Rev	Description	Date	Approved																																			
ENG Appr.																																							
MFR Appr.				Size	Drawing No.	Rev																																	
QA				A	0001	A																																	
Construction: Polycarbonate Acrylic	Weight		Scale	CAD File	Sheet	1 of 1																																	
Unless Otherwise Specified: Dimensions in Inches																																							