



Primelite Manufacturing Corp

407 S Main St, Freeport, NY 11520

Phone: 516-868-4411 | Fax: 516-868-4609

sales@primelite-mfg.com | www.primelite-mfg.com

PART #

#276/GO

LAMP

N/A

VOLTAGE

N/A

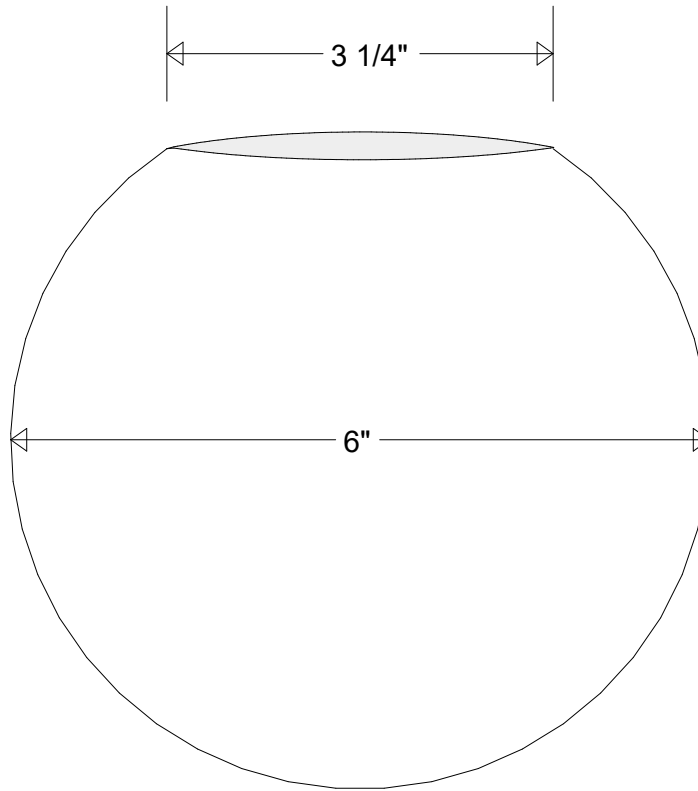
COLOR

N/A

JOB NAME

TYPE

Globe Only



Lamp: N/A
Max Wattage: 60W

Name Date

Drawn CB 1/2021

Checked

ENG Appr.

MFR Appr.

QA

Weight

Globe Only #276/GO

6" Dia | 3 1/4" Opening
Acrylic Globe: Smoke | White | Clear

Size Drawing No. Rev
A 0001 A

Scale CAD File Sheet
1 of 1

Construction: Acrylic

Unless Otherwise Specified:
Dimensions in Inches

Revisions				
Zone	Rev	Description	Date	Approved