

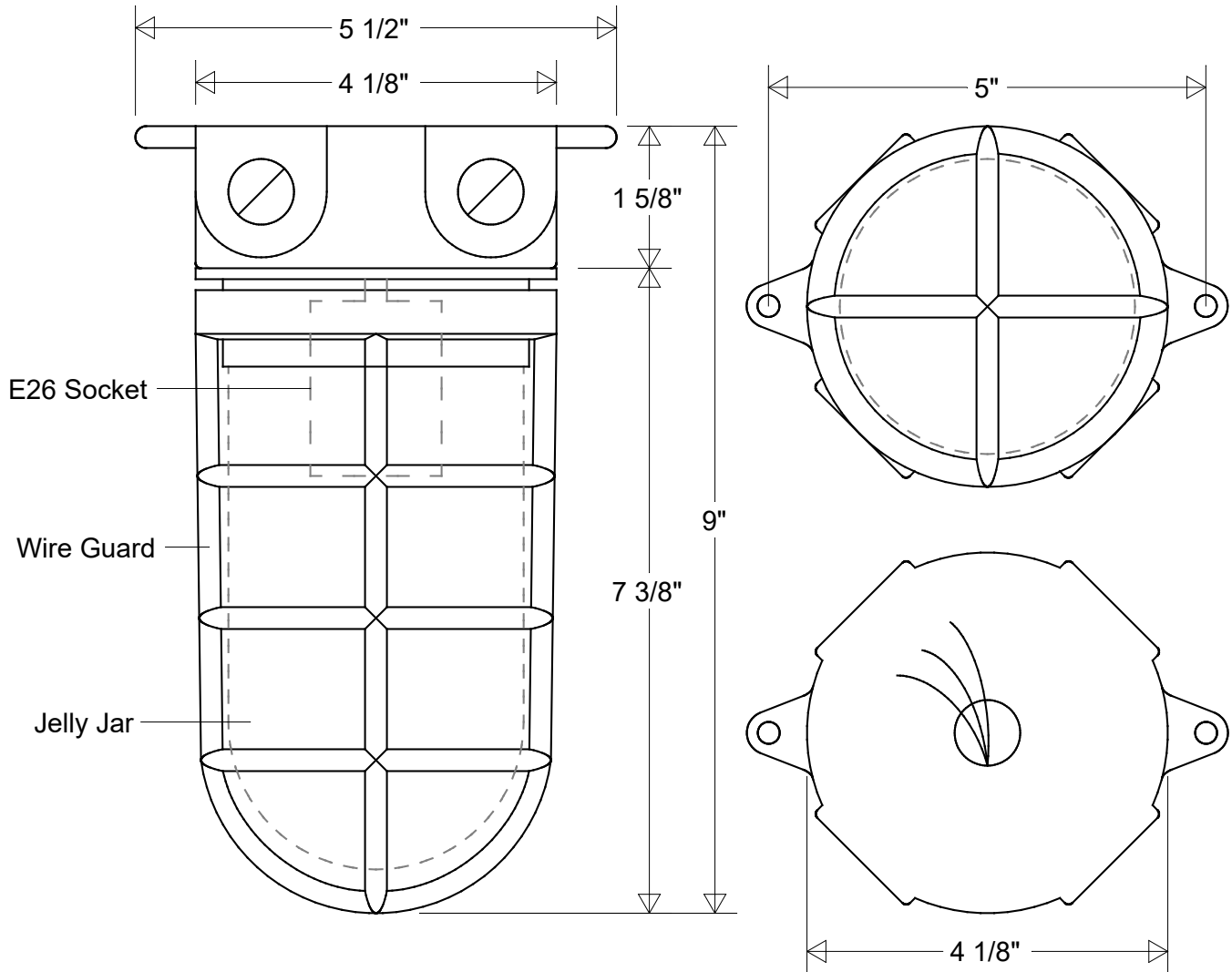



# Primelite Manufacturing Corp

407 S Main St, Freeport, NY 11520

Phone: 516-868-4411 | Fax: 516-868-4609  
 sales@primelite-mfg.com | www.primelite-mfg.com

<b>PART #</b> #26 WG F	<b>LAMP</b> E26 Socket	<b>VOLTAGE</b> 120 V	<b>COLOR</b> Powder Coated Paint
<b>JOB NAME</b>			<b>TYPE</b> Ceiling Flush



<b>Lamp: E26 Socket</b> Max Wattage: 100 W 	<b>Initials</b>	<b>Date</b>	<b>Ceiling Flush #26 WG F</b>																												
	Drawn	CB				10/2022																									
	Checked			4 1/8" Dia   9" H   Junction Box Included																											
<b>Construction:</b> Aluminum   Glass	ENG Appr.			Glass Jar: Clear (/4)   Prismatic (/4P)   Frosted (/5)																											
	MFR Appr.			Size	Drawing No.	Rev																									
	QA			<b>A</b>	<b>0001</b>	<b>A</b>																									
<b>Unless Otherwise Specified:</b> Dimensions in Inches	<b>Weight:</b>		Scale	CAD File	Sheet	<b>1 of 1</b>																									
						<b>Revisions</b>																									
						<table border="1"> <thead> <tr> <th>Zone</th> <th>Rev</th> <th>Description</th> <th>Date</th> <th>Appr</th> </tr> </thead> <tbody> <tr><td> </td><td> </td><td> </td><td> </td><td> </td></tr> <tr><td> </td><td> </td><td> </td><td> </td><td> </td></tr> <tr><td> </td><td> </td><td> </td><td> </td><td> </td></tr> <tr><td> </td><td> </td><td> </td><td> </td><td> </td></tr> </tbody> </table>	Zone	Rev	Description	Date	Appr																				
Zone	Rev	Description	Date	Appr																											