

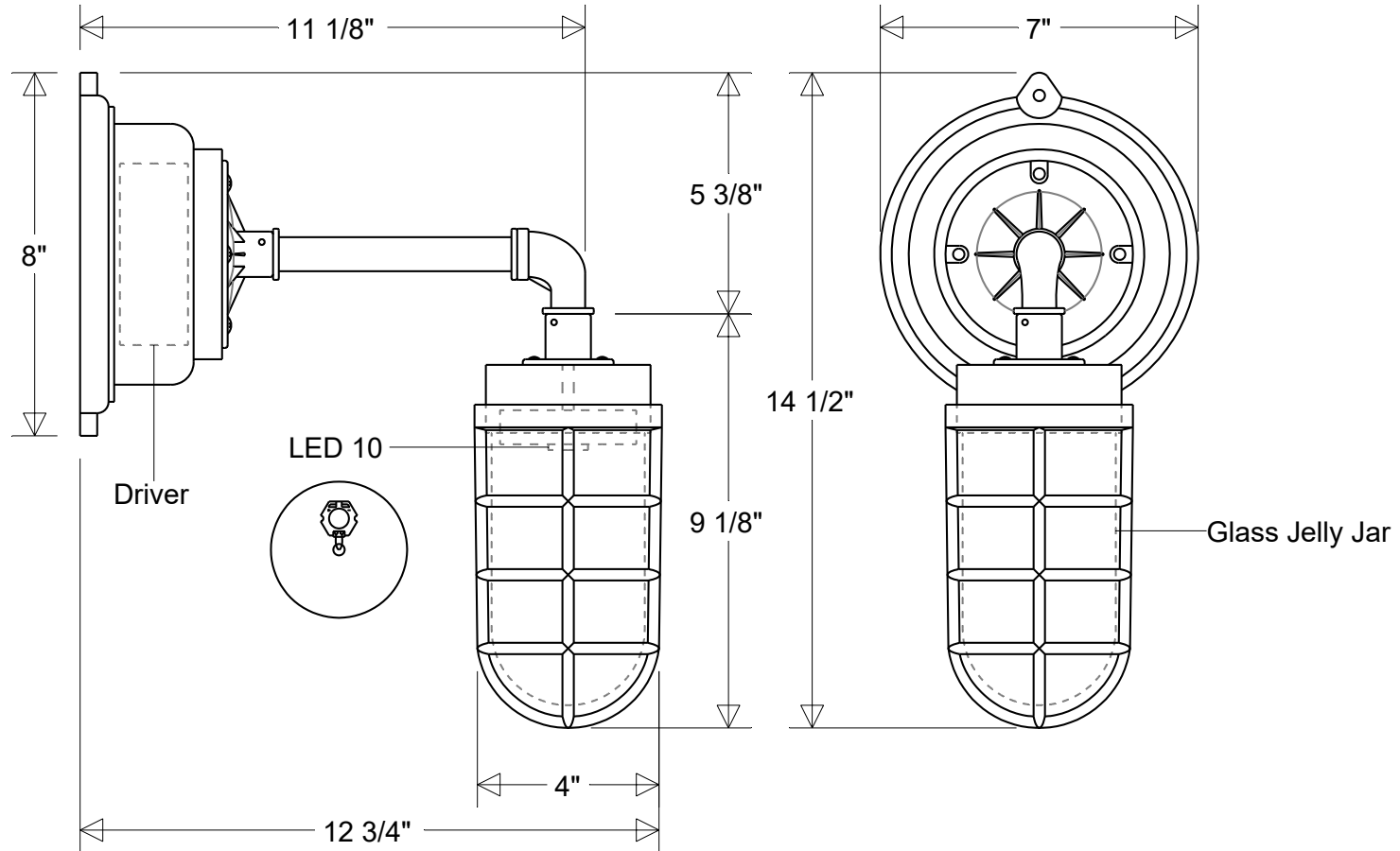


# Primelite Manufacturing Corp.

407 S Main St, Freeport, NY 11520  
 Phone: (516) 868-4411 | Fax: (516) 868-4609  
 sales@primelite-mfg.com | www.primelite-mfg.com

**PROUDLY MADE IN THE USA SINCE 1962!**  
**"SPECIALTIES ARE OUR SPECIALTY!"**

Job Info



## #26/721-WG SBP E LED 10

<b>Lamp: 10 W LED</b> 3K: 1641 Lumens 4K: 1689 Lumens	<b>Finish:</b> 29 Oven Baked Powder Coated Paints	<b>Drawn:</b> CB 06/2024	<b>Scale:</b> 1/4	<b>Approvals</b>	
<b>Voltage:</b> 120 V	<b>Material:</b> Aluminum Glass Jelly Jar	<b>Note:</b> All dimensions are nominal. Actual dimensions may vary.			

4" Dia | 14 1/2" H | 12 3/4" Ext

Glass Jar: Clear (-4) | Prismatic (-4P) | Frosted (-5)