

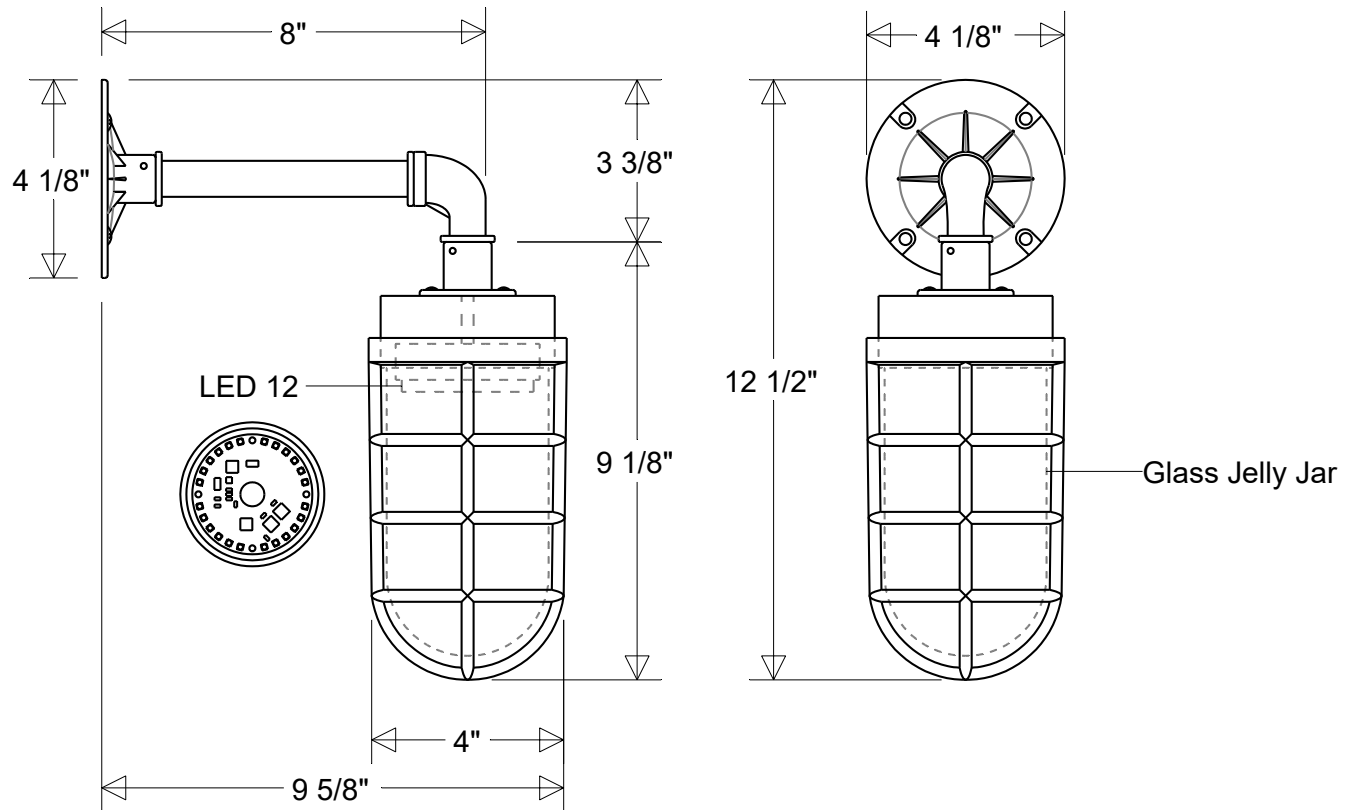


Primelite Manufacturing Corp.

407 S Main St, Freeport, NY 11520
 Phone: (516) 868-4411 | Fax: (516) 868-4609
 sales@primelite-mfg.com | www.primelite-mfg.com

PROUDLY MADE IN THE USA SINCE 1962!
"SPECIALTIES ARE OUR SPECIALTY!"

Job Info



#26/721-WG E LED 12

4" Dia | 12 1/2" H | 9 5/8" Ext

Glass Jar: Clear (-4) | Prismatic (-4P) | Frosted (-5)

Lamp: 12 W LED

3K: 1140 Lumens
 4K: 1280 Lumens

Voltage:
 120 V

Finish:

29 Oven Baked
 Powder Coated Paints

Material:
 Aluminum
 Glass Jelly Jar

Drawn:

CB
 06/2024

Note:

All dimensions are nominal.
 Actual dimensions may vary.

Scale:

1/4

Approvals
