

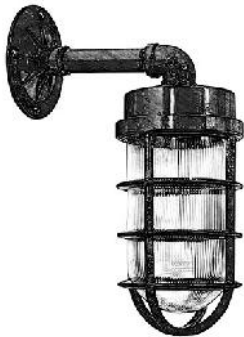
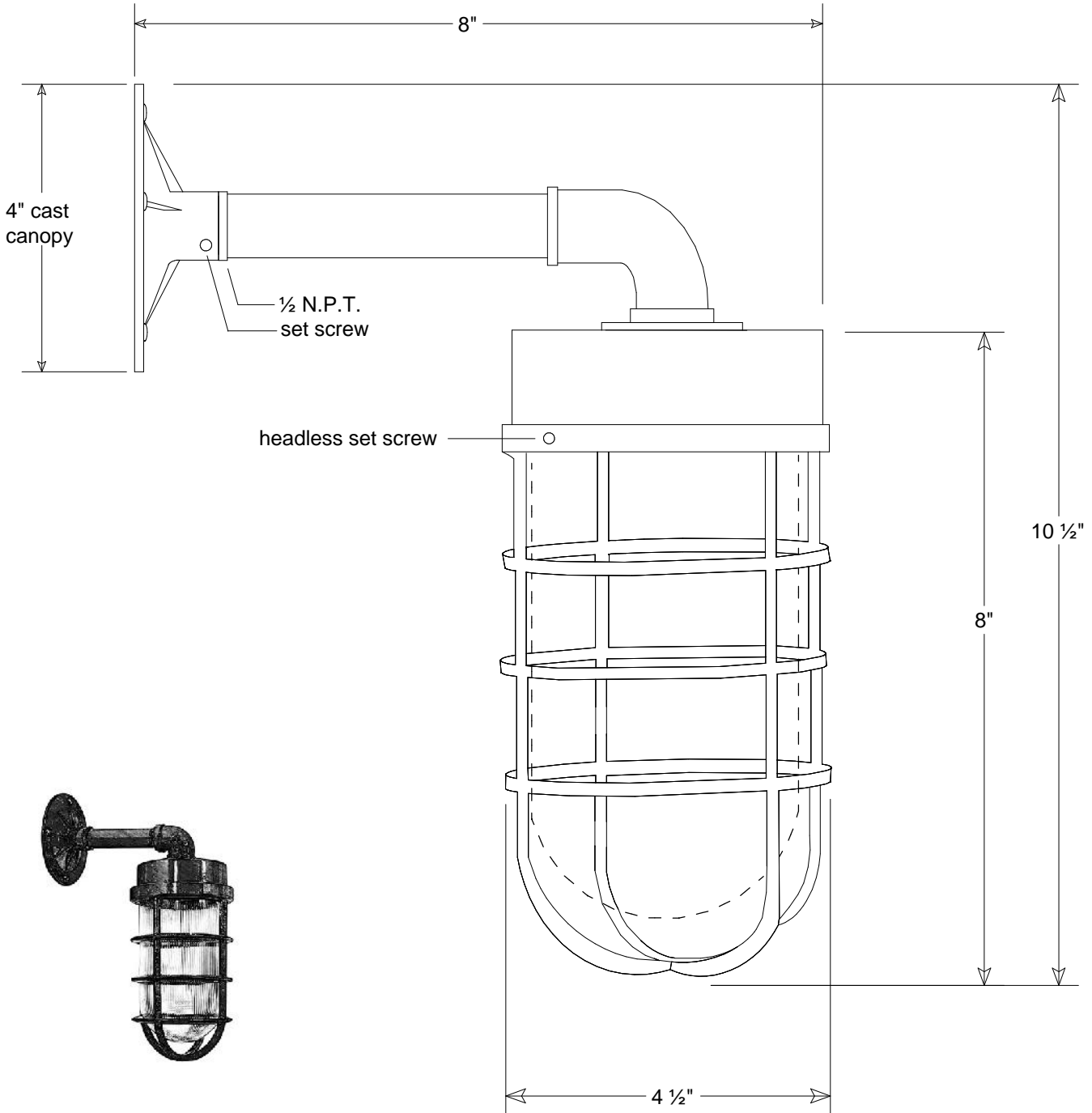


Primelite Manufacturing Corp

407 S Main St, Freeport, NY 11520

Phone: 516-868-4411 | Fax: 516-868-4609
 sales@primelite-mfg.com | www.primelite-mfg.com

PART # #26/721-5WG	LAMP LED	VOLTAGE 120V	COLOR Powder Coated Paint
JOB NAME			TYPE Wall Mount



Lamp: LED LED12 3K	Name	Date	Wall Mount #26/721-5WG LED12 4 1/2" Dia Glass Jelly Jar 8" Arm			
	Drawn	MM				07/2018
	Checked			Size	Drawing No.	Rev
	ENG Appr.			A	0001	A
	MFR Appr.			Scale	CAD File	Sheet
Construction: Aluminum	Weight				1 of 1	
Unless Otherwise Specified: Dimensions in Inches						

Revisions				
Zone	Rev	Description	Date	Approved