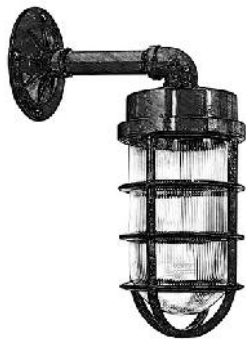
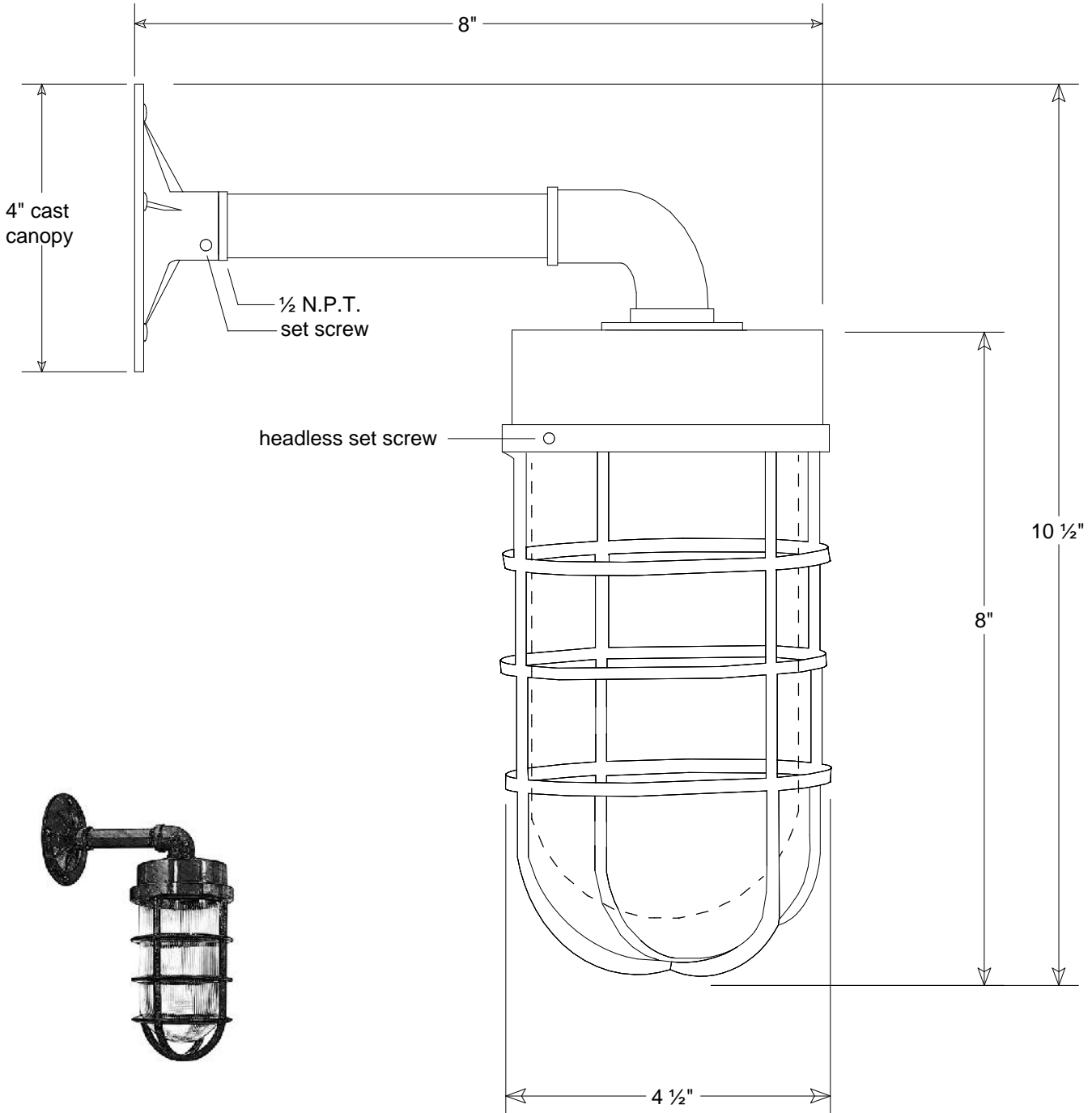




Primelite Manufacturing Corp

407 S Main St, Freeport, NY 11520
 Phone: 516-868-4411 | Fax: 516-868-4609
 sales@primelite-mfg.com | www.primelite-mfg.com

PART #	LAMP	VOLTAGE	COLOR
#26/721-5WG	LED	120V	Powder Coated Paint
JOB NAME			TYPE
			Wall Mount



Lamp: LED LED12 3K	Name	Date	Wall Mount #26/721-5WG LED12 4 1/2" Dia Glass Jelly Jar 8" Arm			
	Drawn	MM				07/2018
	Checked			Size Drawing No. Rev A 0001 A		
	ENG Appr.					
	MFR Appr.					
Construction: Aluminum	Weight	Scale	CAD File	Sheet	1 of 1	

Revisions				
Zone	Rev	Description	Date	Approved