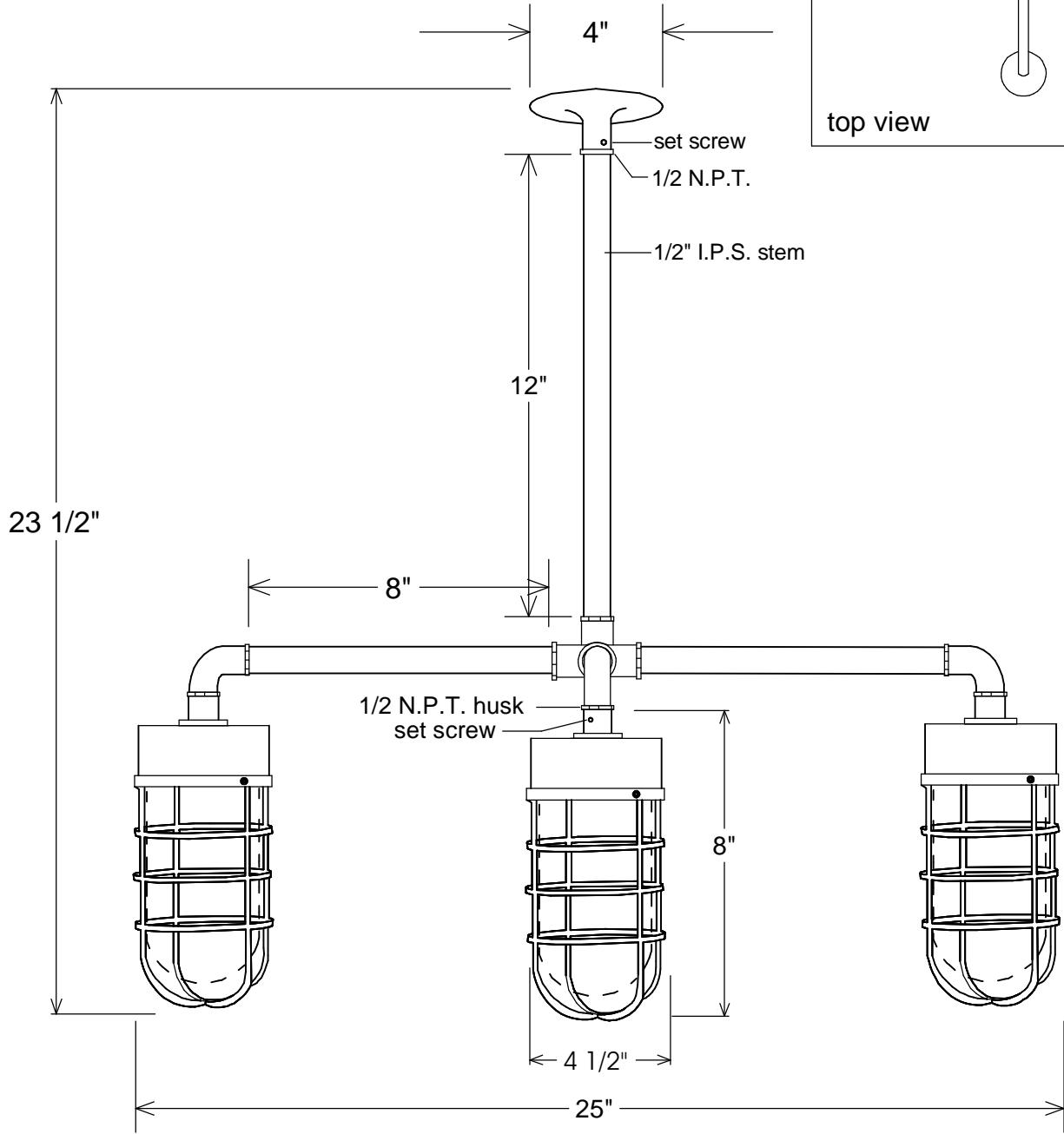


top view



Unless Otherwise Specified:

Dimensions in Inches
 Tolerances: Fractional ±
 Angular: Mach ± Bend ±
 Two Place Decimal ±
 Three Place Decimal ±

Construction: All Aluminum

Pipe Size: 1/2"

Lamp: 4-100A

	Name	Date
Drawn	T.A.R.	01/10/14
Checked		
ENG Appr.		
MFR Appr.		
QA		

Comments
 CAD Generated Drawing
 Do Not Manually Update

Primelite Mfg. Corp.

26/124-4WG

Size	Drawing No.	Rev
A	0001	A
Scale	CAD File	Sheet
1:5		1 of 1