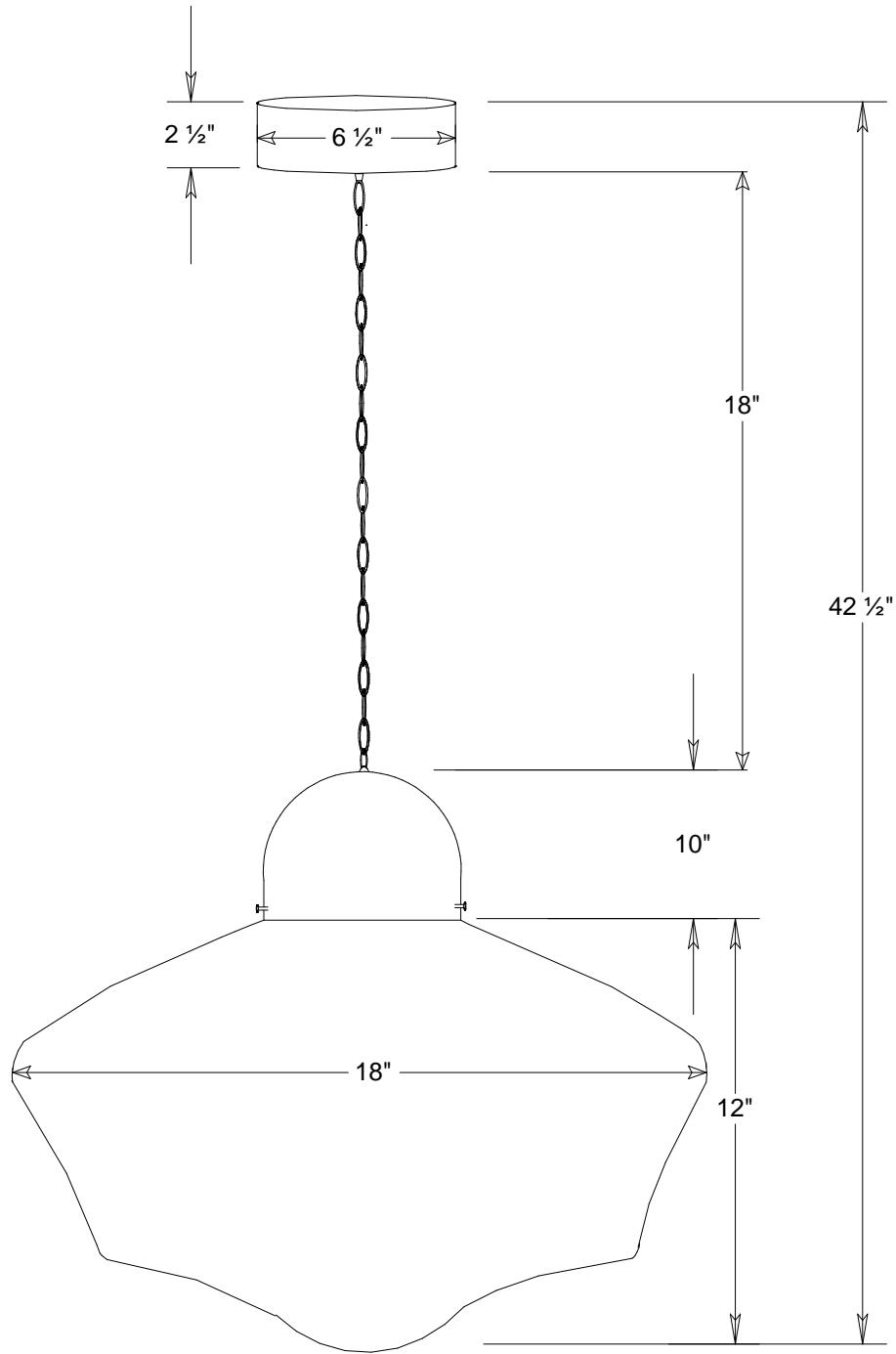
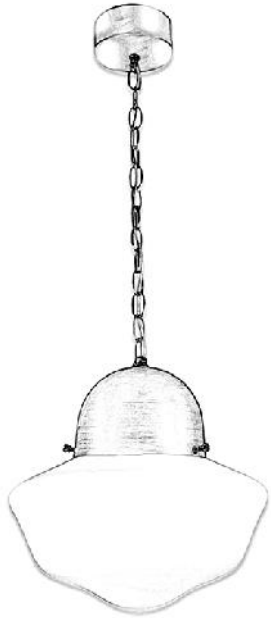






# Primelite Manufacturing Corp

407 S Main St, Freeport, NY 11520  
 Phone: 516-868-4411 | Fax: 516-868-4609  
 sales@primelite-mfg.com | www.primelite-mfg.com

PART #	LAMP	VOLTAGE	COLOR
JOB NAME			TYPE



<b>Lamp: Incandescent   LED</b>    <b>1/200A   LED10 x 2</b>	<b>Name</b>		<b>Date</b>		<b>Pendant #258</b> <b>18" School House Glass Globe</b> 18" Chain (Cord and Stem also available. Please Inquire)																													
	Drawn	iv	01/17/18																															
	Checked				<table border="1" style="width: 100%; border-collapse: collapse;"> <thead> <tr> <th colspan="5">Revisions</th> </tr> <tr> <th>Zone</th> <th>Rev</th> <th>Description</th> <th>Date</th> <th>Approved</th> </tr> </thead> <tbody> <tr><td> </td><td> </td><td> </td><td> </td><td> </td></tr> <tr><td> </td><td> </td><td> </td><td> </td><td> </td></tr> <tr><td> </td><td> </td><td> </td><td> </td><td> </td></tr> </tbody> </table>					Revisions					Zone	Rev	Description	Date	Approved															
	Revisions																																	
	Zone	Rev	Description	Date						Approved																								
ENG Appr.				Size	Drawing No.	Rev																												
MFR Appr.				<b>A</b>	<b>0001</b>	<b>A</b>																												
QA				Scale	CAD File	Sheet	<b>1 of 1</b>																											
<b>Construction:</b> Aluminum   Glass   Steel	<b>Available Shades:</b> 14" (#254), 16" (#256), 18" (#258)																																	
<b>Unless Otherwise Specified:</b> Dimensions in Inches																																		