

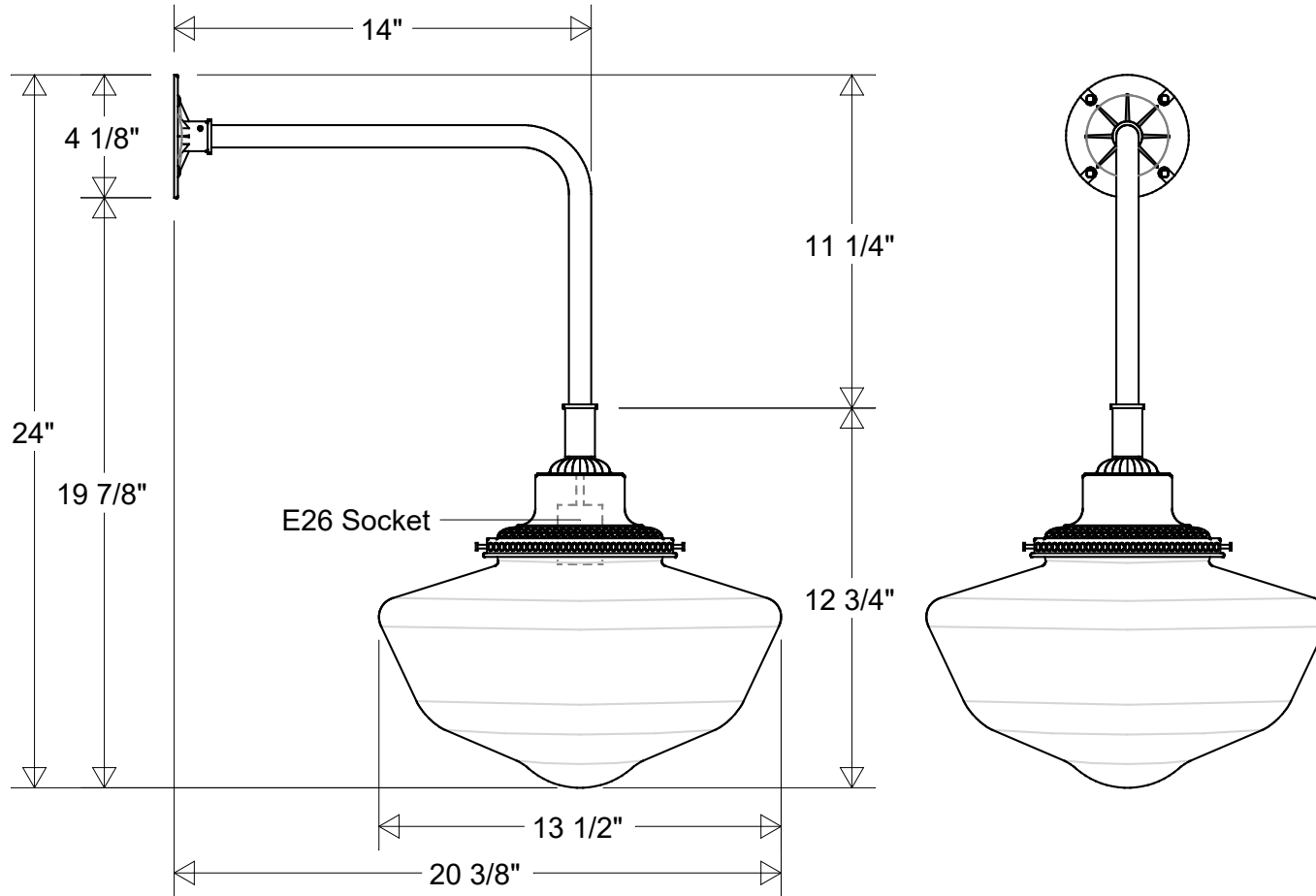



# Primelite Manufacturing Corp

407 S Main St, Freeport, NY 11520

Phone: 516-868-4411 | Fax: 516-868-4609  
 sales@primelite-mfg.com | www.primelite-mfg.com

|                    |                    |                  |                              |
|--------------------|--------------------|------------------|------------------------------|
| PART #<br>#254/870 | LAMP<br>E26 Socket | VOLTAGE<br>120 V | COLOR<br>Powder Coated Paint |
| JOB NAME           |                    |                  | TYPE<br>Gooseneck            |



|   |           |      |                 |  |               |
|---|-----------|------|-----------------|--|---------------|
| Lamp: E26 Socket<br>Max Wattage: 150 W<br> | Initials  | Date | <b>#254/870</b> |  |               |
|   | Drawn     | CB   |                 |  | 04/2023       |
|   | Checked   |      |                 | 13 1/2" Dia   20 3/8" Ext   24" H<br>White Glass Schoolhouse Globe |               |
| ENG Appr.   |           |      |                 |  |               |
| Construction:<br>Aluminum   Glass   | MFR Appr. |      | Size            | Drawing No.  | Rev           |
|   | QA        |      | <b>A</b>        | <b>0001</b>  | <b>A</b>      |
| Unless Otherwise Specified:<br>Dimensions in Inches   | Weight:   |      | Scale           | CAD File   | Sheet         |
|   |           |      |                 |  | <b>1 of 1</b> |

| Revisions |     |             |      |      |
|-----------|-----|-------------|------|------|
| Zone      | Rev | Description | Date | Appr |
|           |     |             |      |      |
|           |     |             |      |      |
|           |     |             |      |      |