

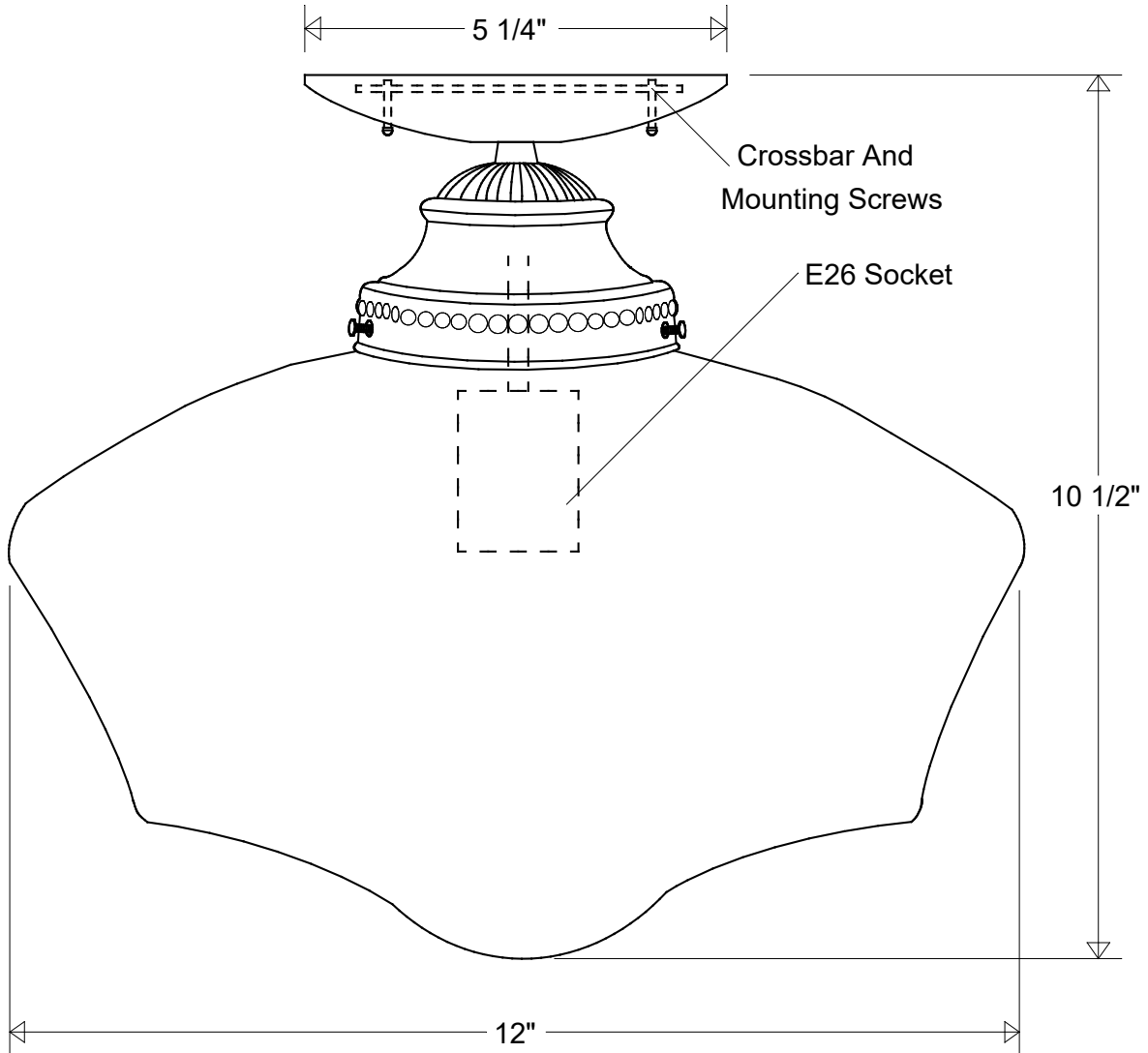



# Primelite Manufacturing Corp

407 S Main St, Freeport, NY 11520

Phone: 516-868-4411 | Fax: 516-868-4609  
 sales@primelite-mfg.com | www.primelite-mfg.com

PART # #252F	LAMP E26 Socket	VOLTAGE 120 V	COLOR Powder Coated Paint
JOB NAME			TYPE Flush Mount



<b>Lamp: E26 Socket</b> Max Wattage: 100 W 	Name		Date		<b>Flush Mount #252F</b> 12" Dia   10 1/2" H Glass School House Globe																													
	Drawn	CB	03/2021																															
	Checked				<table border="1" style="width: 100%; border-collapse: collapse;"> <thead> <tr> <th colspan="5">Revisions</th> </tr> <tr> <th>Zone</th> <th>Rev</th> <th>Description</th> <th>Date</th> <th>Approved</th> </tr> </thead> <tbody> <tr><td> </td><td> </td><td> </td><td> </td><td> </td></tr> <tr><td> </td><td> </td><td> </td><td> </td><td> </td></tr> <tr><td> </td><td> </td><td> </td><td> </td><td> </td></tr> </tbody> </table>					Revisions					Zone	Rev	Description	Date	Approved															
	Revisions																																	
Zone	Rev	Description	Date	Approved																														
ENG Appr.																																		
MFR Appr.				Size	Drawing No.	Rev																												
Construction: Aluminum   Glass	QA			<b>A</b>	<b>0001</b>	<b>A</b>																												
Unless Otherwise Specified: Dimensions in Inches	Weight			Scale	CAD File	Sheet	<b>1 of 1</b>																											