

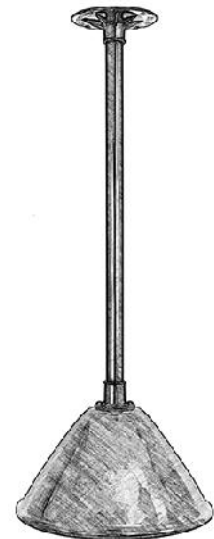
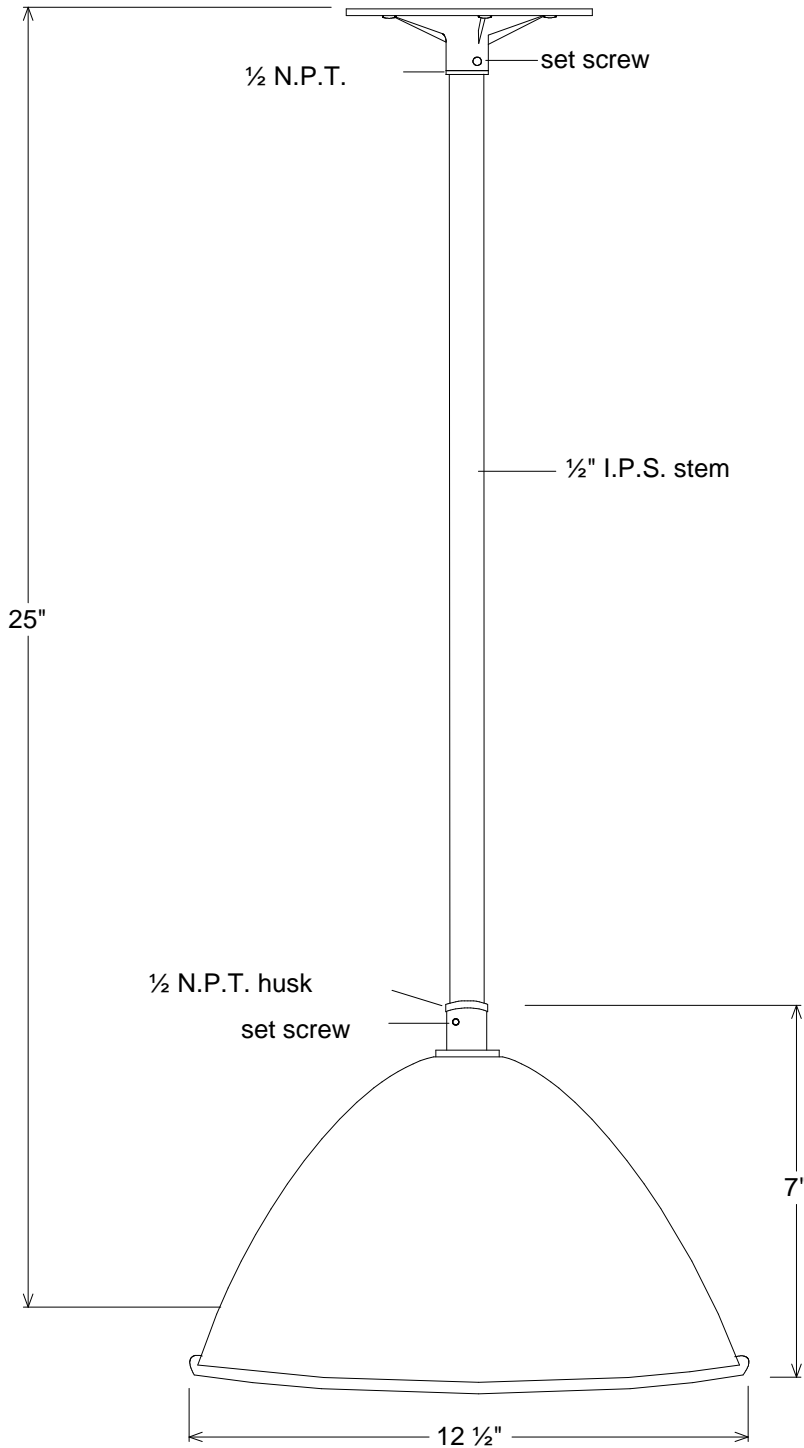


# Primelite Manufacturing Corp

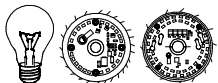
407 S Main St, Freeport, NY 11520

Phone: 516-868-4411 | Fax: 516-868-4609  
 sales@primelite-mfg.com | www.primelite-mfg.com

<b>PART #</b> #24/12-18	<b>LAMP</b> Incandescent   LED	<b>VOLTAGE</b> 120 V	<b>COLOR</b> Powder Coated Paint
<b>JOB NAME</b>			<b>TYPE</b> Pendant



Lamp: Incandescent | LED



1/100A | LED12 | LED22

Construction: Aluminum

Unless Otherwise Specified:  
Dimensions in Inches

<b>Name</b>	<b>Date</b>	<b>Pendant #24/12-18</b>		
iv	05/16/18			
<b>Drawn</b>		<b>12 1/2" Dia Shade   18" Stem</b>		
<b>Checked</b>				
<b>ENG Appr.</b>		<b>Size</b>	<b>Drawing No.</b>	<b>Rev</b>
<b>MFR Appr.</b>		<b>A</b>	<b>0001</b>	<b>A</b>
<b>QA</b>		<b>Scale</b>	<b>CAD File</b>	<b>Sheet</b>
<b>Comments</b>				<b>1 of 1</b>

Revisions				
Zone	Rev	Description	Date	Approved