

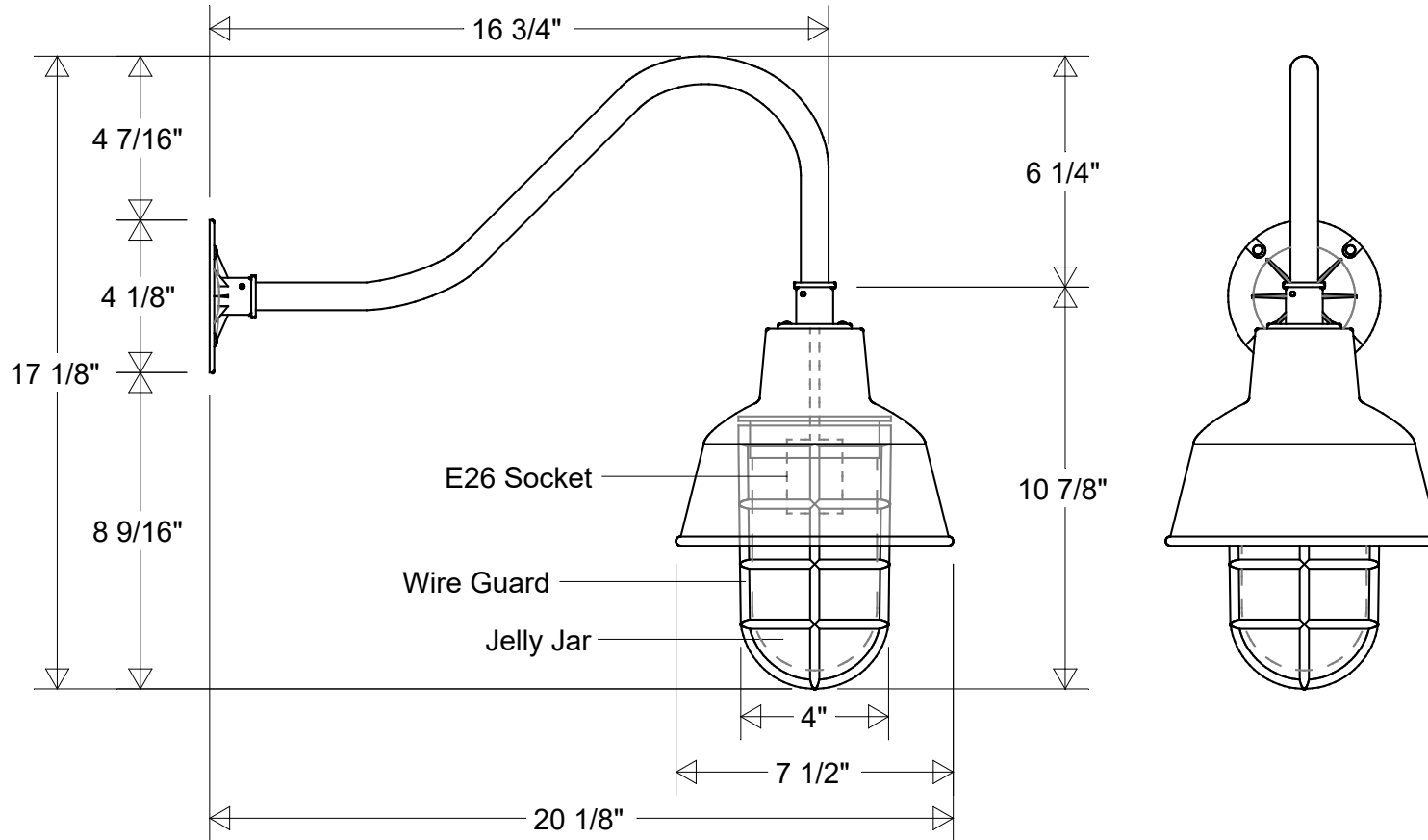



# Primelite Manufacturing Corp

407 S Main St, Freeport, NY 11520

Phone: 516-868-4411 | Fax: 516-868-4609  
 sales@primelite-mfg.com | www.primelite-mfg.com

PART # #23/7-859 WGGH1	LAMP E26 Socket	VOLTAGE 120 V	COLOR Powder Coated Paint
JOB NAME			TYPE Gooseneck



Lamp: E26 Socket Max Wattage: 100 W 	Initials	Date	<b>#23/7-859 WGGH1</b>		<table border="1"> <thead> <tr> <th colspan="5">Revisions</th> </tr> <tr> <th>Zone</th> <th>Rev</th> <th>Description</th> <th>Date</th> <th>Appr</th> </tr> </thead> <tbody> <tr><td> </td><td> </td><td> </td><td> </td><td> </td></tr> <tr><td> </td><td> </td><td> </td><td> </td><td> </td></tr> <tr><td> </td><td> </td><td> </td><td> </td><td> </td></tr> <tr><td> </td><td> </td><td> </td><td> </td><td> </td></tr> </tbody> </table>					Revisions					Zone	Rev	Description	Date	Appr																				
	Revisions																																						
	Zone	Rev	Description	Date	Appr																																		
Drawn	CB	03/2023	7 1/2" Dia   20 1/8" Ext   17 1/8" H																																				
Checked			Glass Jar: Clear (/4)   Prismatic (/4P)   Frosted (/5)																																				
ENG Appr.			Size	Drawing No.	Rev																																		
Construction: Aluminum   Glass	MFR Appr.		<b>A</b>	<b>0001</b>	<b>A</b>																																		
QA			Scale	CAD File	Sheet	<b>1 of 1</b>																																	
Unless Otherwise Specified: Dimensions in Inches	Weight:																																						