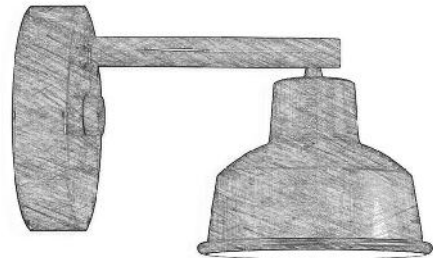
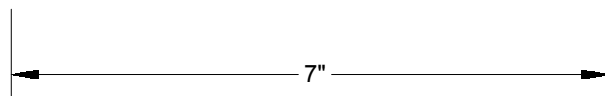
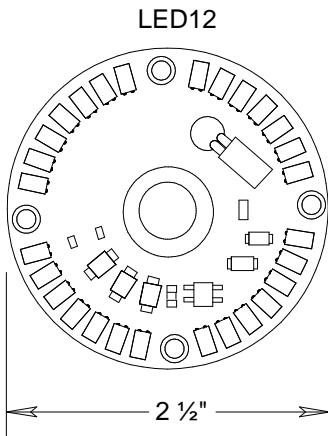
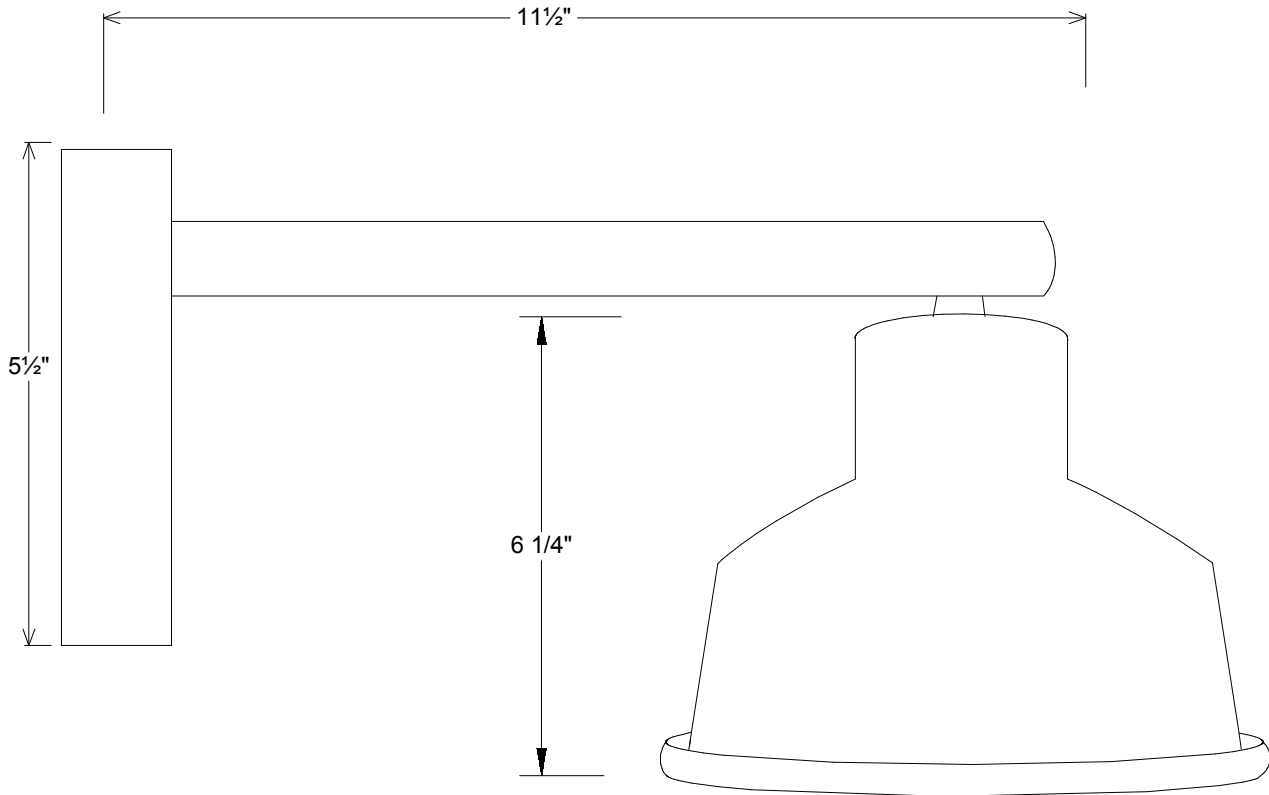




Primelite Manufacturing Corp

407 S Main St, Freeport, NY 11520
 Phone: 516-868-4411 | Fax: 516-868-4609
 sales@primelite-mfg.com | www.primelite-mfg.com

PART #	LAMP	VOLTAGE	COLOR
JOB NAME			TYPE



Unless Otherwise Specified:
 Dimensions in Inches
 Tolerances: Fractional ±
 Angular: Mach ± Bend ±
 Two Place Decimal ±
 Three Place Decimal ±

Construction: Aluminum
Lamp: Incandescent | LED 1/60A | LED12

Name	Date	Gooseneck #23/7-613		
Drawn	iv	01/02/18		
Checked				
ENG Appr.				
MFR Appr.		Size	Drawing No.	Rev
QA		A	0001	A
Comments		Scale	CAD File	Sheet
				1 of 1

Revisions				
Zone	Rev	Description	Date	Approved