

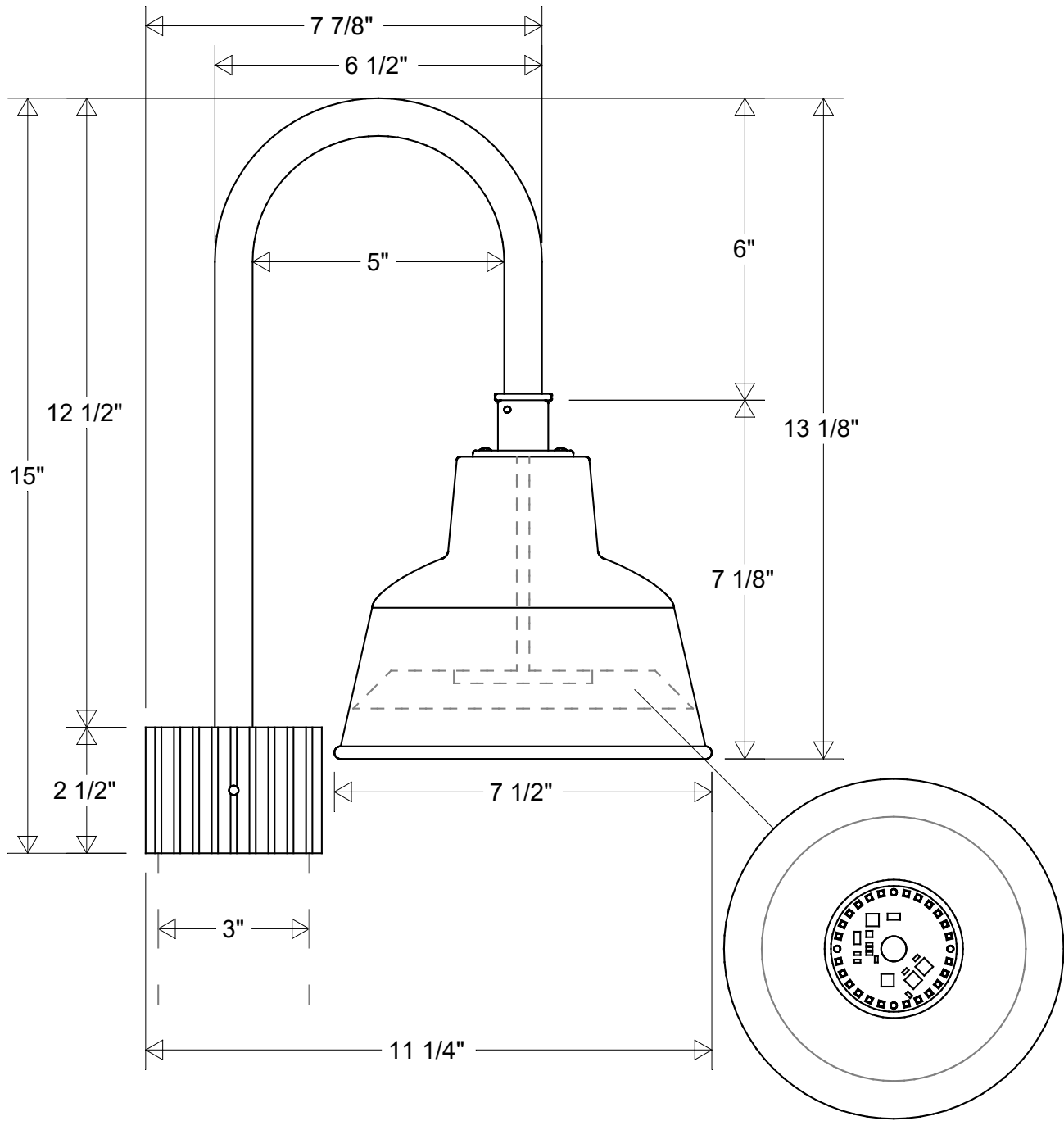


Primelite Manufacturing Corp


407 S Main St, Freeport, NY 11520

Phone: 516-868-4411 | Fax: 516-868-4609
 sales@primelite-mfg.com | www.primelite-mfg.com

PART # #23/7-1873 LED 12	LAMP Built-In LED	VOLTAGE 120 V	COLOR Powder Coated Paint
JOB NAME			TYPE Post Light



LED 12 Array
& Heat Sink

Lamp: LED 12 Array 60 W Inc Equivalent 3K = 910 Lumens 4K = 1000 Lumens 	Initials	Date	Post Light #23/7-1873 LED 12		Revisions <table border="1"> <thead> <tr> <th>Zone</th> <th>Rev</th> <th>Description</th> <th>Date</th> <th>Appr</th> </tr> </thead> <tbody> <tr><td> </td><td> </td><td> </td><td> </td><td> </td></tr> <tr><td> </td><td> </td><td> </td><td> </td><td> </td></tr> <tr><td> </td><td> </td><td> </td><td> </td><td> </td></tr> <tr><td> </td><td> </td><td> </td><td> </td><td> </td></tr> </tbody> </table>					Zone	Rev	Description	Date	Appr																				
	Zone	Rev								Description	Date	Appr																						
Drawn	CB	04/2022	7 1/2" Dia 11 1/4" Ext 15" H																															
Checked			Fits 3" OD Round Post																															
ENG Appr.			Size	Drawing No.	Rev																													
Construction: Aluminum	MFR Appr.		A	0001	A																													
Unless Otherwise Specified: Dimensions in Inches	Weight:		Scale	CAD File	Sheet																													
						1 of 1																												