



# Primelite Manufacturing Corp

407 S Main St, Freeport, NY 11520

Phone: 516-868-4411 | Fax: 516-868-4609

sales@primelite-mfg.com | www.primelite-mfg.com

PART #

#23/24-850 LED 22

LAMP

Built-In LED

VOLTAGE

120 V

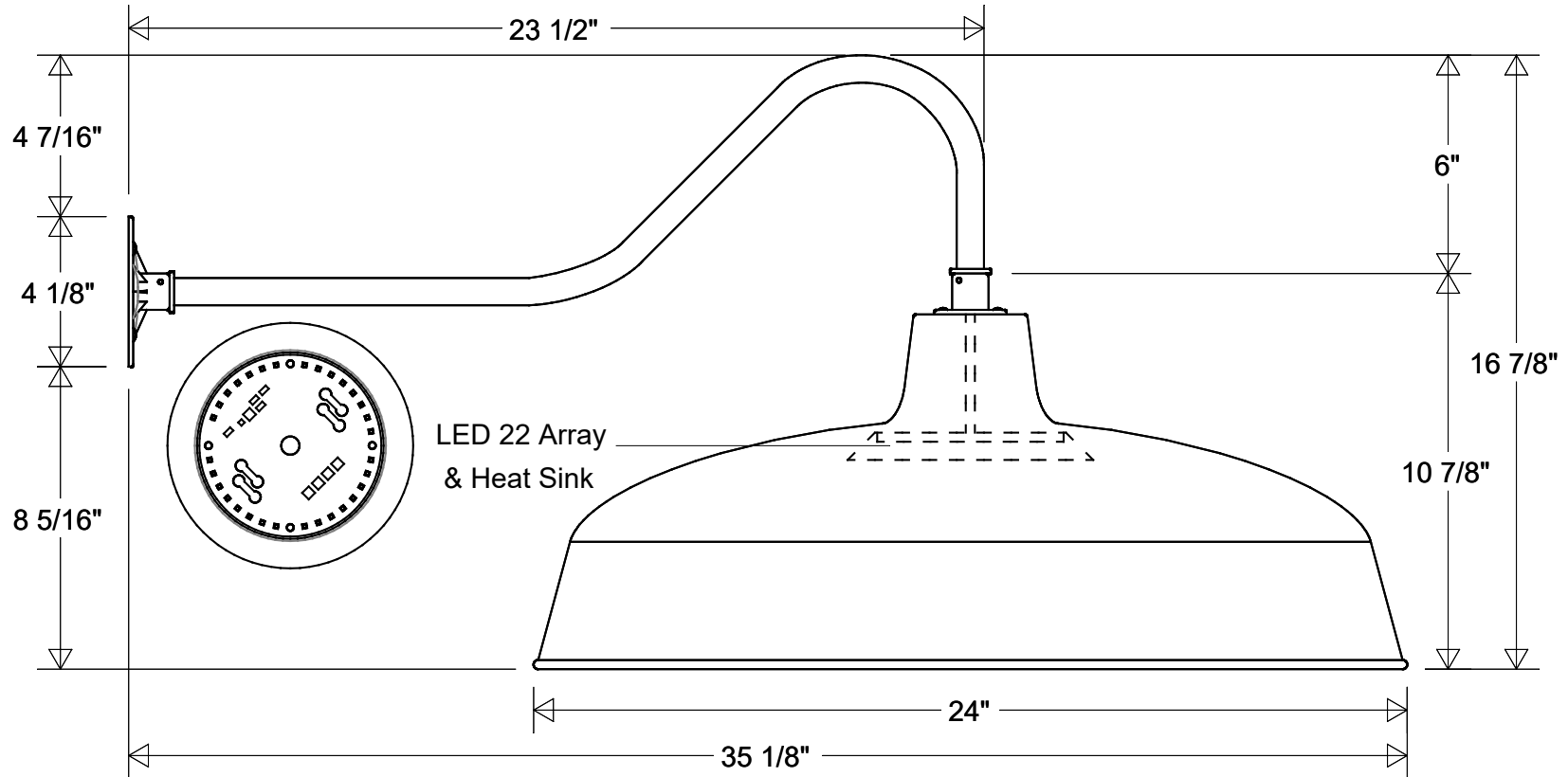
COLOR

Powder Coated Paint

JOB NAME

TYPE

Gooseneck



Lamp: LED 22 Array

100 W Inc Equivalent  
3K = 1800 Lumens  
4K = 1800 Lumens



Initials Date

Drawn CB 01/2022

Checked

ENG Appr.

MFR Appr.

QA

## Gooseneck #23/24-850 LED 22

24" Dia | 35 1/8" Ext | 16 7/8" H

6" Drop | 8 5/16" Below Box

Size

**A**

Drawing No.

**0001**

Rev

**A**

### Revisions

Zone	Rev	Description	Date	Appr

Construction:  
Aluminum

Unless Otherwise Specified:  
Dimensions in Inches

Weight:

Scale

CAD File

Sheet

**1 of 1**