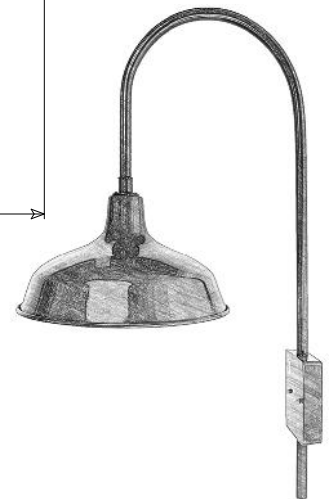
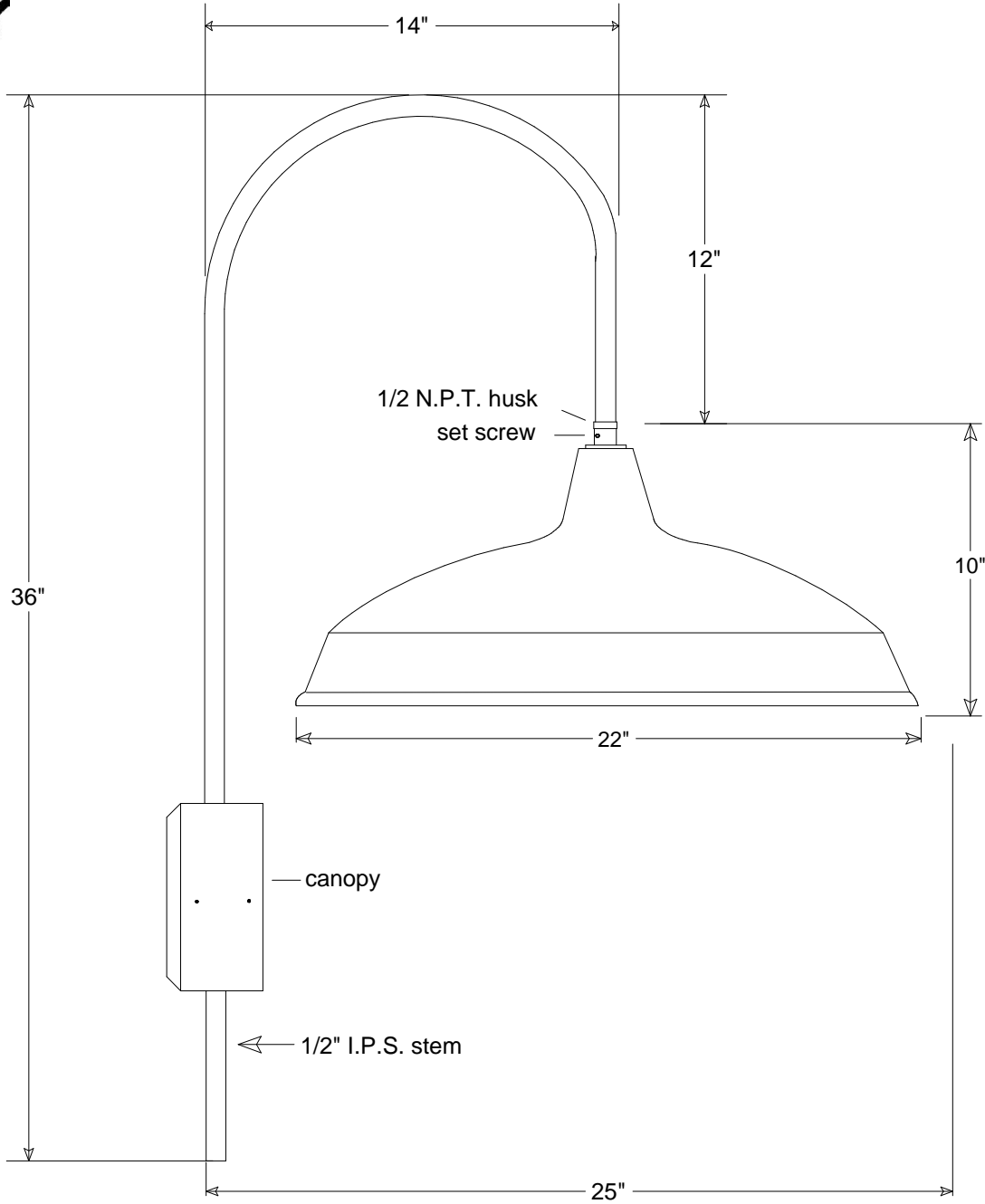




Primelite Manufacturing Corp

407 S Main St, Freeport, NY 11520
 Phone: 516-868-4411 | Fax: 516-868-4609
 sales@primelite-mfg.com | www.primelite-mfg.com

PART #	LAMP	VOLTAGE	COLOR
JOB NAME			TYPE



Unless Otherwise Specified:
 Dimensions in Inches
 Tolerances: Fractional ±
 Angular: Mach ± Bend ±
 Two Place Decimal ±
 Three Place Decimal ±

Construction: Aluminum
Lamp: Incandescent | LED
1/200A | LED12 | LED22

Name		Date		Gooseneck #23/22-862		
Drawn	iv	11/28/17				
Checked				22" Shade 14" Arm		
ENG Appr.						
MFR Appr.				Size	Drawing No.	Rev
QA				A	0001	A
Available Shades:		Scale	CAD File	Sheet	1 of 1	
7", 10", 12", 14", 16", 18", 20", 22", 24"						

Revisions				
Zone	Rev	Description	Date	Approved